



BREAKFAST CABINET SET+ SOCKET

CORNER 2m with door sensor and socket | 3000K | Ra>80 | aluminum
Product code: 96362

Versatile breakfast set with door sensor and socket

LIMENTE breakfast cabinet set is a versatile solution that includes everything you need to equip your breakfast cabinet. The set is complete, including a vertical or horizontal profile light, driver, and sensor that turns on the lights when you open the cabinet door and the socket.

The breakfast cabinet is optimized with a soft, ambient light that can be left on for mood lighting. The profile, positioned at the front edge, directs a pleasant glow into the cabinet without glare. The sleek, continuous light has no visible seams and provides even illumination across the entire area.

[Learn more from our website](#)

Lighting

LIMENTE SMART 512 acts as an automatic door ON / OFF switch or when used as a door switch, the switch turns on the lights when the door is opened and turns them off when the door is closed.

[Learn more from our website](#)

Easy installation

The installation of the LIMENTE breakfast cabinet set is quick and easy with the included installation accessories and instructions.

[Learn more from our website](#)

THE FOLLOWING ITEMS ARE INCLUDED

- 2m aluminumprofile aluminum
- 2m ledstrip
- 2 x cord 2m
- driver 15W
- 2 x Smart 512 door sensor
- Econ-3 socket, alulook

BREAKFAST CABINET SET+ SOCKET

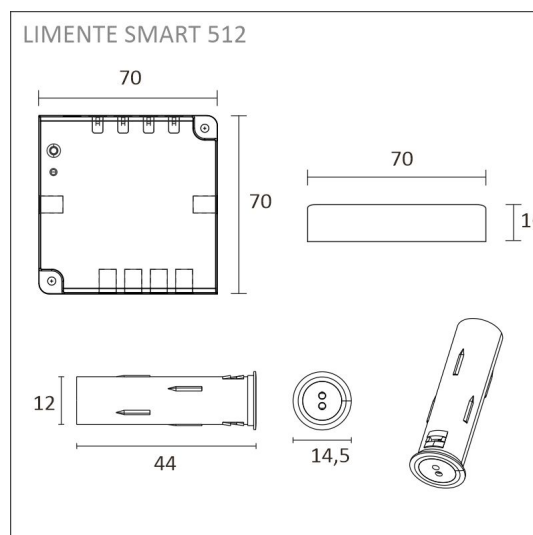
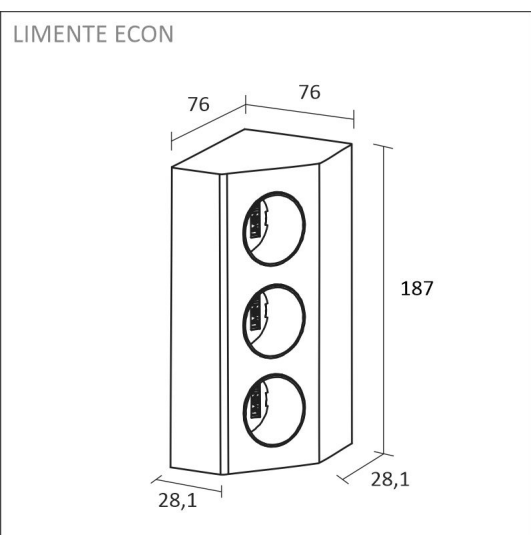
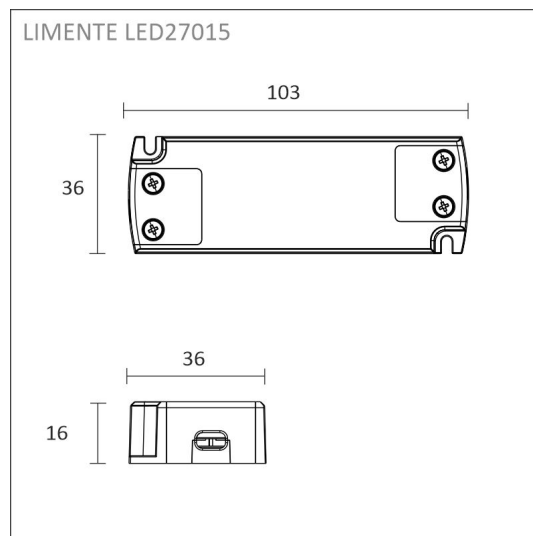
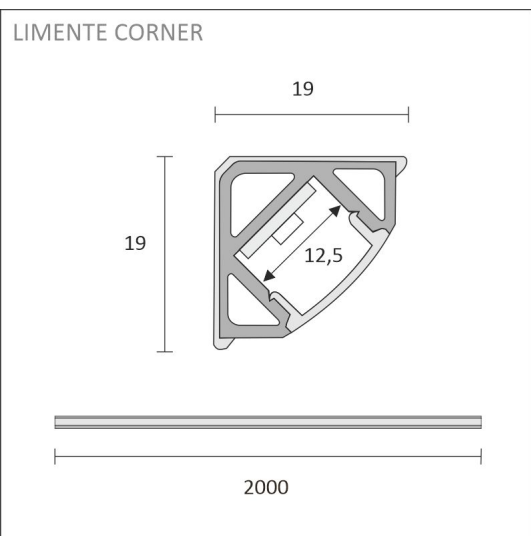
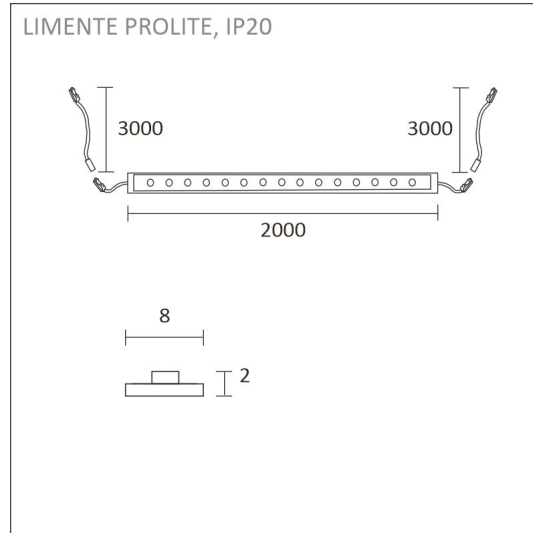
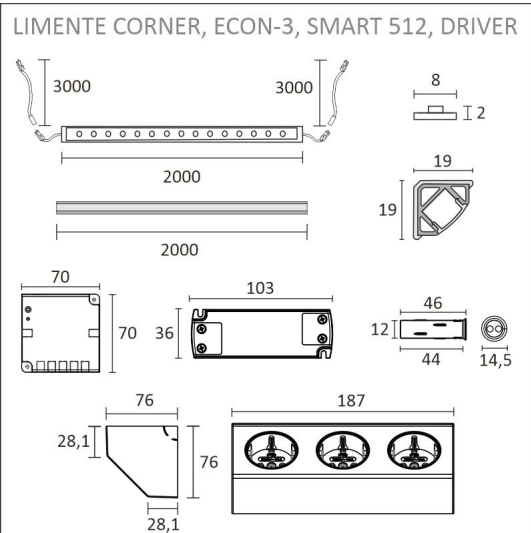
OVERVIEW

PRODUCT CODE	96362
GTIN-CODE	6430022824560
ELECTRICAL NUMBER	4143189
ETIM GENERAL NAME	
ETIM CLASS	
ETIM GROUP	
COLOUR	Alulook
LAMP TYPE	LED

SPECIFICATIONS

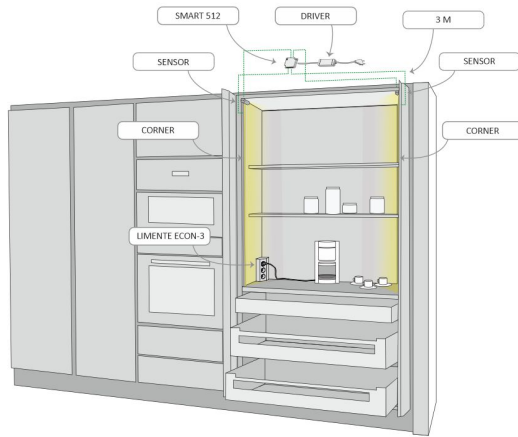
PRODUCT DIMENSIONS	2000.0 x 19.0 x 19.0
MOUNTING METHOD	
COLOUR TEMPERATURE	3000 K
COLOUR RENDERING INDEX CRI	> 80
RATED LIFE TIME	54.000h (L80B10), 102.000h (L70B50)
ENERGY EFFICIENCY CLASS	
LUMINOUS FLUX	500 lm/m
EFFICIENCY	104 lm/W
VOLTAGE	
INGRESS PROTECTION CODE	IP44/IP20
NUMBER OF LEDS/M	
INPUT POWER	24 W
NUMBER OF SWITCHING CYCLES	
AMBIENT TEMPERATURE RANGE	
INPUT POWER CONNECTOR	
WARRANTY PERIOD (MONTHS)	24
ADDITIONAL COVER (MONTHS)	
INSTALLATION AND OPERATING MANUAL	https://www.limente.fi/Images/productpics/instructions/limente_ribbon-pro.pdf

BREAKFAST CABINET SET+ SOCKET



BREAKFAST CABINET SET+ SOCKET

Corner + Smart 512 + Econ-3



LIMENTE
- HELSINKI -