

## KIT-CORNER 4M

3000 K | black | 1512 lm/m | CRI>85

Product code: 96339

### Complete light set for kitchen workspace

The LIMENTE workspace light set is a versatile, shortenable light solution that can be used to create work and mood light and it is great for example as an indirect light on top of the cabinet, in recesses, plinths, ceilings, etc. in addition to kitchen work lighting. In the kitchen workspace, the profile is placed close to the front edge of the bottom of the top cabinet.

See the installation pictures for tips on how the profile can be placed in the kitchen as a working light, on top of the kitchen cabinet as indirect light or how it can be used as an indirect light for the ceiling, for example. The kitchen workspace set is available in two different lengths, 2 m and 4 m (alu), or 2,15 m and 4,3 m (white and black), with and without light control.

[Learn more from our website](#)

### Dimming and light control

By adjusting the lighting, you can customize the lighting and create lighting that suits your home and the current situation. The stepless dimmer makes it easy to create a different mood and a new look in the space. By dimming the LIMENTE luminaires, you change the lighting in your home from efficient and bright to dim and cozy. If you wish, you can use the same control to adjust all the LIMENTE luminaires in the room, including the different ceiling, panel and work luminaires. The luminaires adjust evenly and smoothly, changing the mood of the entire space.

[Learn more from our website](#)

### Easy installation

The installation of the LIMENTE workspace light is quick and easy with the included installation accessories and instructions.

[Learn more from our website](#)

#### THE FOLLOWING ITEMS ARE INCLUDED

- 2 m aluminium profile x 2
- diffuser 2m (cover) x 2
- mounting clips x 8
- end-caps x 8
- 4 m 3000 K led-ribbon
- 3 m power cord in both ends
- driver 60 W

## KIT-CORNER 4M

### OVERVIEW

PRODUCT CODE	96339
GTIN-CODE	6430022823839
ELECTRICAL NUMBER	4143139
ETIM GENERAL NAME	
ETIM CLASS	
ETIM GROUP	
COLOUR	Black
LAMP TYPE	LED

### SPECIFICATIONS

PRODUCT DIMENSIONS	4300.0 x 19.0 x 19.0
MOUNTING METHOD	
COLOUR TEMPERATURE	3000 K
COLOUR RENDERING INDEX CRI	> 85
RATED LIFE TIME	36.000h (L80B10), 84.000h (L70B50)
ENERGY EFFICIENCY CLASS	
LUMINOUS FLUX	1512 lm/m
EFFICIENCY	126 lm/W
VOLTAGE	
INGRESS PROTECTION CODE	IP44/IP20
NUMBER OF LEDS/M	
INPUT POWER	24 W
NUMBER OF SWITCHING CYCLES	> 50 000
AMBIENT TEMPERATURE RANGE	
INPUT POWER CONNECTOR	
WARRANTY PERIOD (MONTHS)	24
ADDITIONAL COVER (MONTHS)	12
INSTALLATION AND OPERATING MANUAL	<a href="https://www.limente.fi/Images/productpics/instructions/limente_led-ribbon.pdf">https://www.limente.fi/Images/productpics/instructions/limente_led-ribbon.pdf</a>

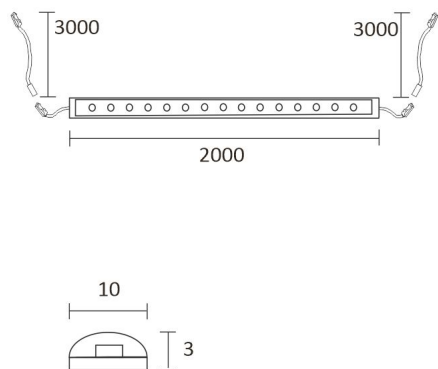
## KIT-CORNER 4M

### RECOMMENDED ACCESSORIES

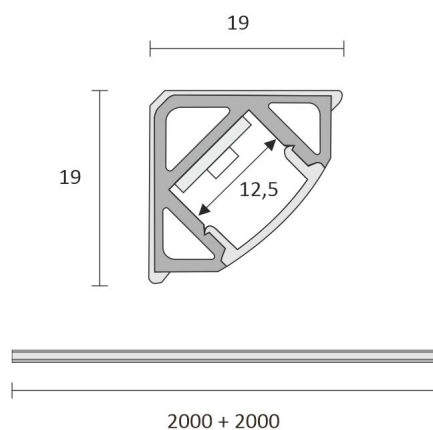
PRODUCT CODE	PRODUCT
640420	SMART 420, WIRELESS LIGHT CONTROL
640421	SMART 421, WIRELESS LIGHT CONTROL

## KIT-CORNER 4M

LIMENTE RIBBON COM 20, IP 44



LIMENTE CORNER



LIMENTE 28060

