



KIT-CORNER 2M

4000 K | white | 1512 lm/m | CRI>85

Product code: 96320

Complete light set for kitchen workspace

The LIMENTE workspace light set is a versatile, shortenable light solution that can be used to create work and mood light and it is great for example as an indirect light on top of the cabinet, in recesses, plinths, ceilings, etc. in addition to kitchen work lighting. In the kitchen workspace, the profile is placed close to the front edge of the bottom of the top cabinet.

See the installation pictures for tips on how the profile can be placed in the kitchen as a working light, on top of the kitchen cabinet as indirect light or how it can be used as an indirect light for the ceiling, for example. The kitchen workspace set is available in two different lengths, 2 m and 4 m (alu and white), or 2,15 m and 4,3 m (black), with and without light control.

[Learn more from our website](#)

Dimming and light control

By adjusting the lighting, you can customize the lighting and create lighting that suits your home and the current situation. The stepless dimmer makes it easy to create a different mood and a new look in the space. By dimming the LIMENTE luminaires, you change the lighting in your home from efficient and bright to dim and cozy. If you wish, you can use the same control to adjust all the LIMENTE luminaires in the room, including the different ceiling, panel and work luminaires. The luminaires adjust evenly and smoothly, changing the mood of the entire space.

[Learn more from our website](#)

Easy installation

The installation of the LIMENTE workspace light is quick and easy with the included installation accessories and instructions.

[Learn more from our website](#)

THE FOLLOWING ITEMS ARE INCLUDED

- aluminium profile 2m
- diffuser 2m (cover)
- mounting clips x 4
- end-caps x 4
- 2 m 4000 K led-ribbon
- 3 m power cord in both ends
- driver 30 W

KIT-CORNER 2M

OVERVIEW

| | |
|-------------------|---------------|
| PRODUCT CODE | 96320 |
| GTIN-CODE | 6430022821330 |
| ELECTRICAL NUMBER | 4139996 |
| ETIM GENERAL NAME | |
| ETIM CLASS | |
| ETIM GROUP | |
| COLOUR | White |
| LAMP TYPE | LED |

SPECIFICATIONS

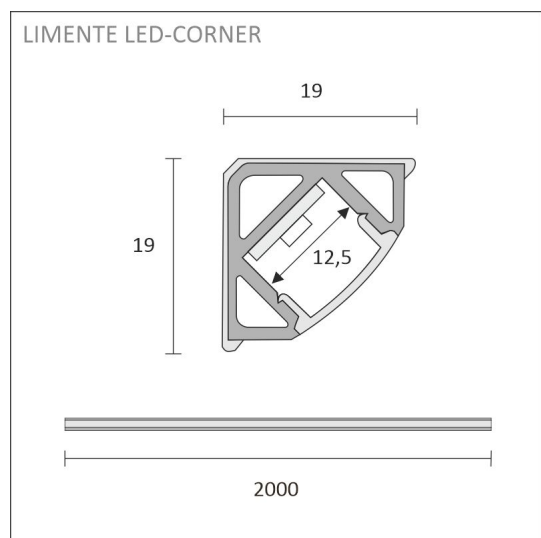
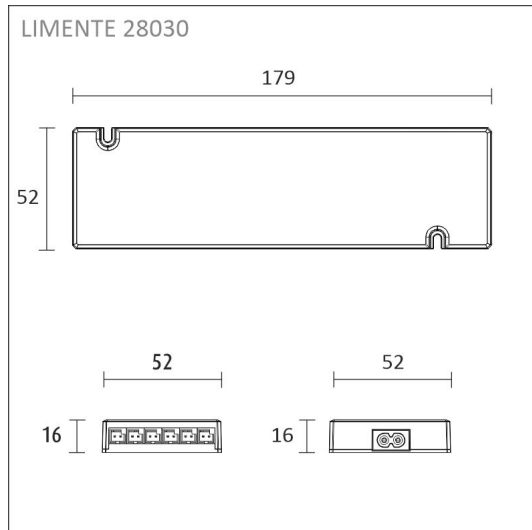
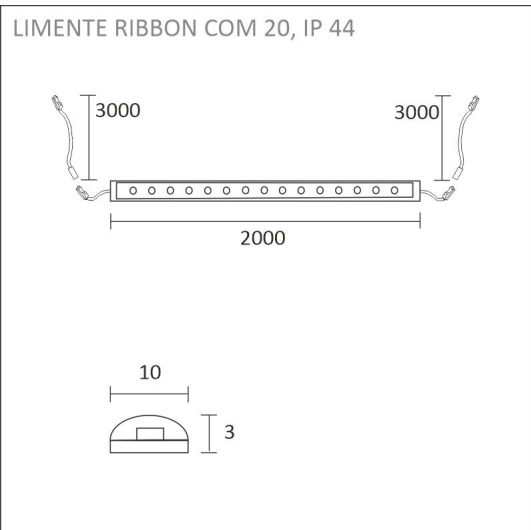
| | |
|-----------------------------------|---|
| PRODUCT DIMENSIONS | 2150.0 x 19.0 x 19.0 |
| MOUNTING METHOD | |
| COLOUR TEMPERATURE | 4000 K |
| COLOUR RENDERING INDEX CRI | > 85 |
| RATED LIFE TIME | 36.000h (L80B10), 84.000h (L70B50) |
| ENERGY EFFICIENCY CLASS | |
| LUMINOUS FLUX | 1512 lm/m |
| EFFICIENCY | 126 lm/W |
| VOLTAGE | |
| INGRESS PROTECTION CODE | IP44/IP20 |
| NUMBER OF LEDS/M | |
| INPUT POWER | 24 W |
| NUMBER OF SWITCHING CYCLES | > 50 000 |
| AMBIENT TEMPERATURE RANGE | |
| INPUT POWER CONNECTOR | |
| WARRANTY PERIOD (MONTHS) | 24 |
| ADDITIONAL COVER (MONTHS) | 12 |
| INSTALLATION AND OPERATING MANUAL | https://www.limente.fi/Images/productpics/instructions/limente_led-ribbon.pdf |

KIT-CORNER 2M

RECOMMENDED ACCESSORIES

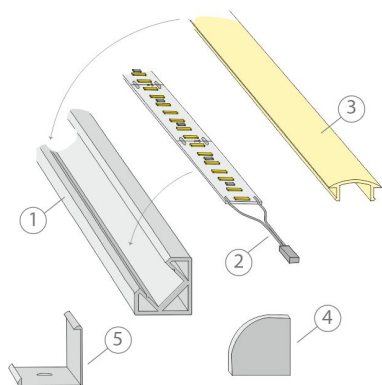
| PRODUCT CODE | PRODUCT |
|--------------|-----------------------------------|
| 640420 | SMART 420, WIRELESS LIGHT CONTROL |
| 640421 | SMART 421, WIRELESS LIGHT CONTROL |

KIT-CORNER 2M

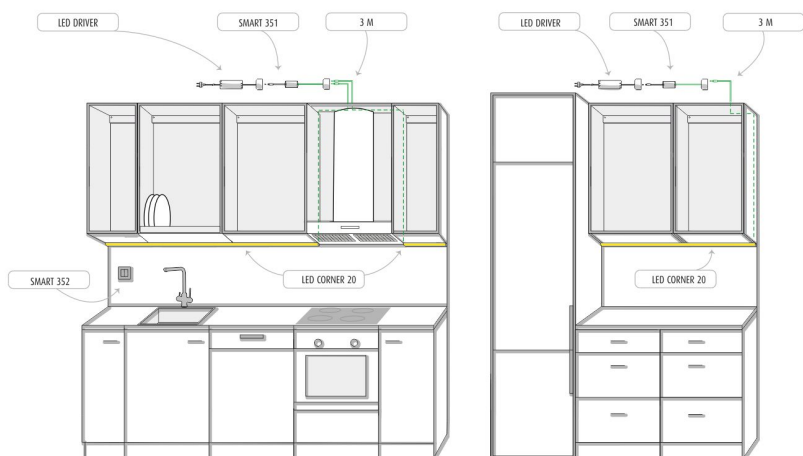


KIT-CORNER 2M

Corner



LIMENTE
HELSINKI



LIMENTE
HELSINKI