

KIT-LINEA 2M + DIMMER

1512 lm/m | aluminum | SMART sensor
Product code: 96308



Complete light set for kitchen workspace

The LIMENTE workspace light set is a versatile, shortenable light solution that can be used to create work and mood light and it is great for example as an indirect light on top of the cabinet, in recesses, plinths, ceilings, etc. in addition to kitchen work lighting. In the kitchen workspace, the profile is placed close to the front edge of the bottom of the top cabinet. This set includes all the parts needed to create a dimmable kitchen workspace lighting.

See the installation pictures for tips on how the profile can be placed in the kitchen as a working light, on top of the kitchen cabinet as indirect light or how it can be used as an indirect light for the ceiling, for example. The kitchen workspace set is available in two different lengths, 2 m and 4 m, with and without light control.

The length of the LED strip is 2 or 4 m and can be shortened to the desired length at approximately 3.3 cm intervals, that makes it suitable for various different spaces. The included cable profiles and corner pieces make it easy to elegantly hide the supply cables. The luminaire uses high-quality LEDs with a color rendering index $R_a > 85$, an efficiency of 126 lm / W, a light output of 1512 lm / m and a color temperature of about 3000K or 4000K (there may be slight differences in color temperature from production batch). In addition to the profile, the luminaire has a matte cover (diffuser), which makes the light spotless and at the same time turns the light into a slightly warmer shade. All lighting values are given on the LED strip without cover.

The kitchen workspace set is delivered complete so that in addition to the profiles, the corner pieces and the LED strip, the power supply, dimmer and wireless switch are also included in the delivery.

Dimming and light control

By adjusting the lighting, you can customize the lighting and create lighting that suits your home and the current situation. The stepless dimmer makes it easy to create a different mood and a new look in the space. By dimming the LIMENTE luminaires, you change the lighting in your home from efficient and bright to dim and cozy. If you wish, you can use the same control to adjust all the LIMENTE luminaires in the room, including the different ceiling, panel and work luminaires. The luminaires adjust evenly and smoothly, changing the mood of the entire space.

[Learn more from our website](#)

Easy installation

The installation of the LIMENTE workspace light is quick and easy with the included installation accessories and instructions.

[Learn more from our website](#)

THE FOLLOWING ITEMS ARE INCLUDED

- aluminium profile (inc. cover) 2m + 1m
- end pieces + fasteners
- corner pieces (90°) x 3
- led-ribbon 4000 K, 2m, power cord in both ends
- driver 30 W
- 2-piece wireless controller + receiver

KIT-LINEA 2M + DIMMER

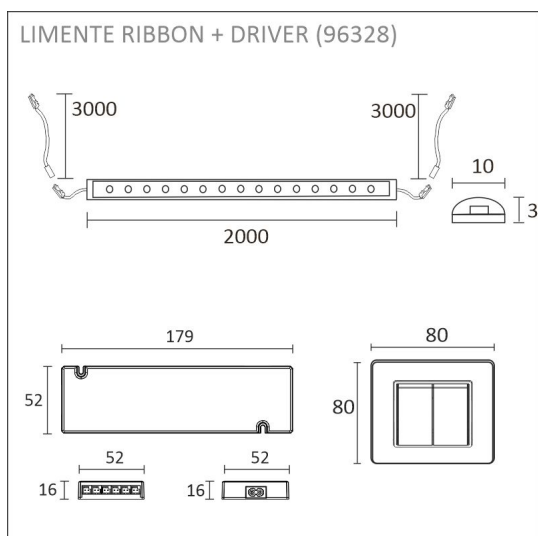
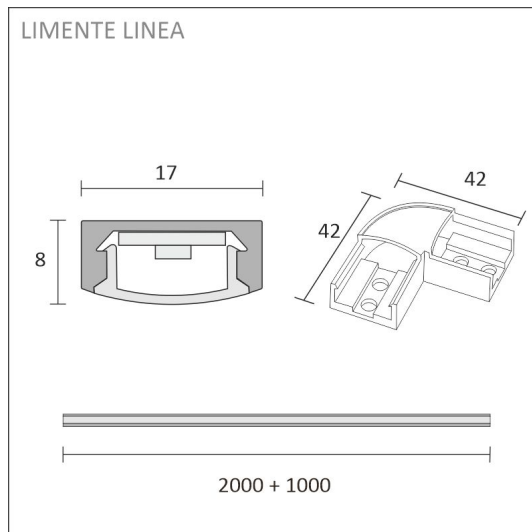
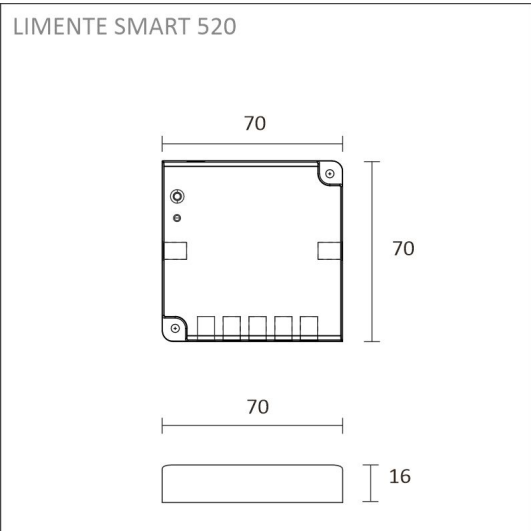
OVERVIEW

PRODUCT CODE	96308
GTIN-CODE	6438400001190
ELECTRICAL NUMBER	4139980
ETIM GENERAL NAME	Light ribbon-/hose/-strip
ETIM CLASS	Light ribbon-/hose/-strip EC002706
ETIM GROUP	41 Domestic light fittings
COLOUR	Alulook
LAMP TYPE	LED

SPECIFICATIONS

PRODUCT DIMENSIONS	2000.0 x 17.0 x 8.0
MOUNTING METHOD	Surface mounting
COLOUR TEMPERATURE	4000 K
COLOUR RENDERING INDEX CRI	> 85
RATED LIFE TIME	84.000h
ENERGY EFFICIENCY CLASS	
LUMINOUS FLUX	1512 lm/m
EFFICIENCY	126 lm/W
VOLTAGE	24 V DC
INGRESS PROTECTION CODE	IP44/IP20
NUMBER OF LEDS/M	
INPUT POWER	24 W
NUMBER OF SWITCHING CYCLES	> 50 000
AMBIENT TEMPERATURE RANGE	-20°C~50°C
INPUT POWER CONNECTOR	
WARRANTY PERIOD (MONTHS)	24
ADDITIONAL COVER (MONTHS)	
INSTALLATION AND OPERATING MANUAL	https://www.limente.fi/Images/productpics/instructions/limente_led-ribbon.pdf

KIT-LINEA 2M + DIMMER



KIT-LINEA 2M + DIMMER

