

BREAKFAST CABINET SET 2M

500 lm/m | white | SMART door sensor
Product code: 96302



Versatile breakfast set with door sensor

LIMENTE breakfast cabinet set is a versatile solution that includes everything you need to equip your breakfast cabinet. The set is complete, including a vertical or horizontal profile light, driver, and sensor that turns on the lights when you open the cabinet door.

The breakfast cabinet is optimized with a soft, ambient light that can be left on for mood lighting. The profile, positioned at the front edge, directs a pleasant glow into the cabinet without glare. The sleek, continuous light has no visible seams and provides even illumination across the entire area.

[Learn more from our website](#)

Lighting

LIMENTE SMART 512 acts as an automatic door ON / OFF switch or when used as a door switch, the switch turns on the lights when the door is opened and turns them off when the door is closed.

[Learn more from our website](#)

Easy installation

The installation of the LIMENTE breakfast cabinet set is quick and easy with the included installation accessories and instructions.

[Learn more from our website](#)

THE FOLLOWING ITEMS ARE INCLUDED

- 2m aluminum profile white
- 2m ledstrip
- 2 x cord 2m
- driver 15W
- 2 x Smart 512 door sensor

BREAKFAST CABINET SET 2M VERTICAL

OVERVIEW

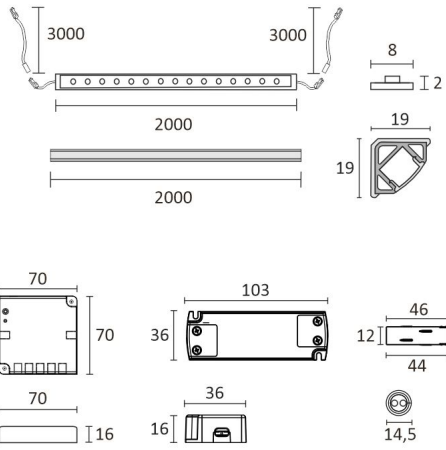
PRODUCT CODE	96302
GTIN-CODE	6438400004481
ELECTRICAL NUMBER	4143111
ETIM GENERAL NAME	
ETIM CLASS	
ETIM GROUP	
COLOUR	White
LAMP TYPE	LED

SPECIFICATIONS

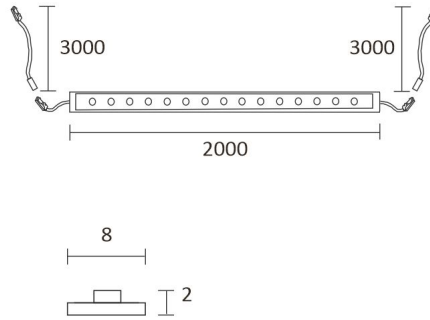
PRODUCT DIMENSIONS	2000.0 x 19.0 x 19.0
MOUNTING METHOD	Surface mounting
COLOUR TEMPERATURE	4000 K
COLOUR RENDERING INDEX CRI	> 80
RATED LIFE TIME	102.000h
ENERGY EFFICIENCY CLASS	
LUMINOUS FLUX	500 lm/m
EFFICIENCY	104 lm/W
VOLTAGE	24 V DC
INGRESS PROTECTION CODE	IP44/IP20
NUMBER OF LEDS/M	180
INPUT POWER	15 W
NUMBER OF SWITCHING CYCLES	
AMBIENT TEMPERATURE RANGE	
INPUT POWER CONNECTOR	
WARRANTY PERIOD (MONTHS)	24
ADDITIONAL COVER (MONTHS)	
INSTALLATION AND OPERATING MANUAL	https://www.limente.fi/Images/productpics/instructions/limente_ribbon-pro.pdf

BREAKFAST CABINET SET 2M VERTICAL

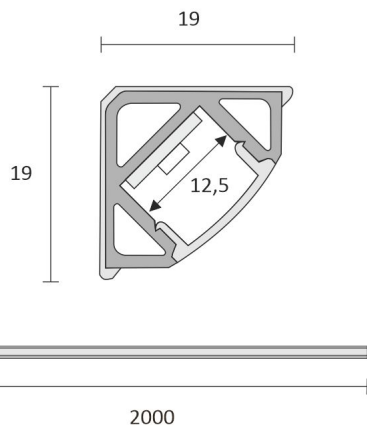
LIMENTE CORNER, SMART 512, DRIVER



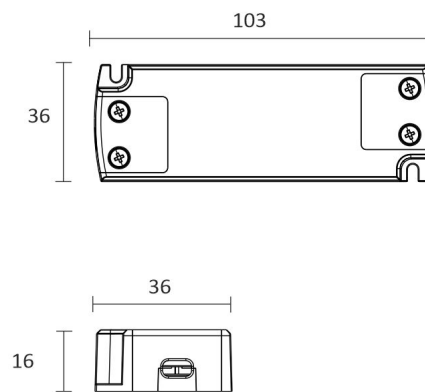
LIMENTE PROLITE, IP20



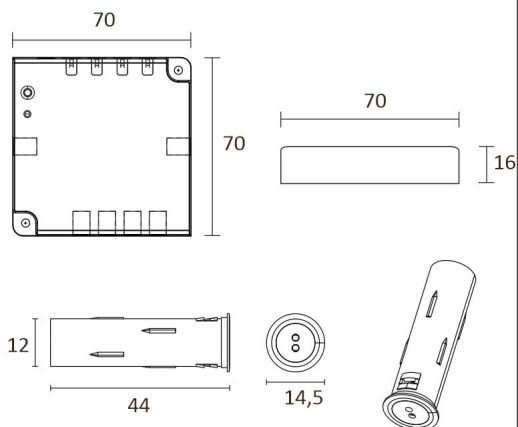
LIMENTE CORNER



LIMENTE LED27015

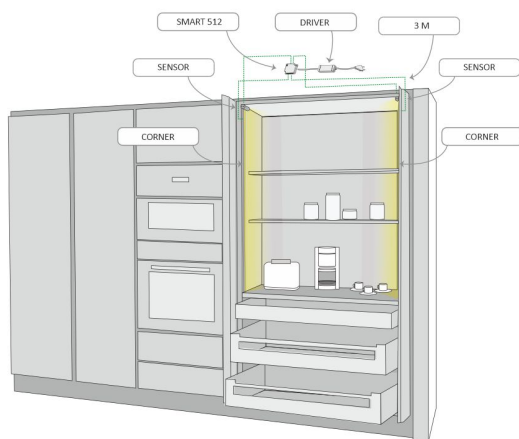


LIMENTE SMART 512



BREAKFAST CABINET SET 2M VERTICAL

Corner + Smart 512



LIMENTE
HELSINKI