

## CABINET SIDES INCL. SENSOR + SOCKET

CORNER 2m with door sensor and socket | 4000K | Ra>85 | white  
Product code: 96299



### Versatile corner profile with door sensor and socket to breakfast cabinet

LIMENTE CORNER IP44 is a versatile light fixture suitable for either working light or mood light. The fixture can be used in breakfast cabinets, where the fixture can be placed on the leading edge. The light is stylish and continuous with no connection points interrupting the light, which provides even light throughout the area.

The fixture can be shortened to a desired length at 3,3 cm intervals. LIMENTE CORNER IP44 comes with quality LEDs with a color rendering index of Ra> 85, an efficiency of 126 lm/W, a luminosity of 1512 lm/m and a color temperature of about 4000K (small color temperature differences may vary by production batches). The fixture includes a matte protective glass diffuser, which makes the light even and continuous and makes the light a bit warmer in light color. All technical values are given to the led strip without a diffuser.

[Learn more from our website](#)

### Lighting control

LIMENTE SMART IR-sensor works as an automated ON/OFF -switch.

[Learn more from our website](#)

### Easy Installation

LIMENTE CORNER IP44 is fast and easy to install with the installation accessories included.

[Learn more from our website](#)

### THE FOLLOWING ITEMS ARE INCLUDED

- 2m aluminum profile white
- 2m ledstrip
- 2 x cord 3m
- driver 30W
- 2 x Smart 512 door sensor
- Econ-3 socket, white

## BREAKFAST CABINET SET VERTICAL + SOCKET

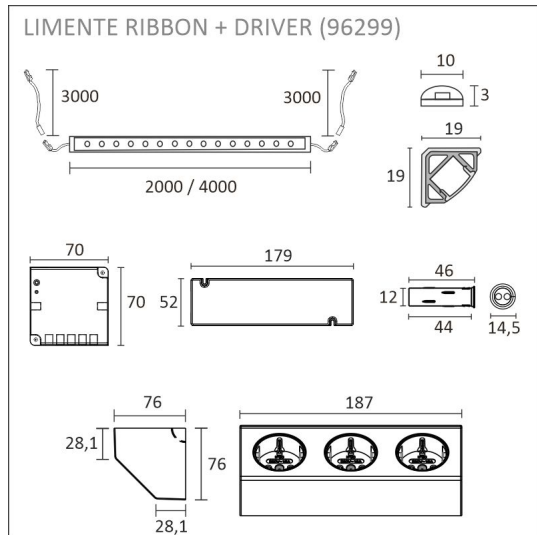
## OVERVIEW

PRODUCT CODE	96299
GTIN-CODE	6430022821736
ELECTRICAL NUMBER	4143112
ETIM GENERAL NAME	
ETIM CLASS	
ETIM GROUP	
COLOUR	White
LAMP TYPE	LED

## SPECIFICATIONS

PRODUCT DIMENSIONS	2000.0 x 19.0 x 19.0
MOUNTING METHOD	
COLOUR TEMPERATURE	4000 K
COLOUR RENDERING INDEX CRI	> 85
RATED LIFE TIME	36.000h (L80B10), 84.000h (L70B50)
ENERGY EFFICIENCY CLASS	
LUMINOUS FLUX	1512 lm/m
EFFICIENCY	126 lm/W
VOLTAGE	
INGRESS PROTECTION CODE	IP44/IP20
NUMBER OF LEDS/M	
INPUT POWER	24 W
NUMBER OF SWITCHING CYCLES	
AMBIENT TEMPERATURE RANGE	
INPUT POWER CONNECTOR	
WARRANTY PERIOD (MONTHS)	24
ADDITIONAL COVER (MONTHS)	12
INSTALLATION AND OPERATING MANUAL	<a href="http://www.limente.fi/Images/productpics/instructions/limente_aamiaiskaappi-set_96299.pdf">http://www.limente.fi/Images/productpics/instructions/limente_aamiaiskaappi-set_96299.pdf</a>

## BREAKFAST CABINET SET VERTICAL + SOCKET



## BREAKFAST CABINET SET VERTICAL + SOCKET

