

KIT-PROCOM 5M + DRIVER

24 V | 4000K | IP20 | 128 led/m | 1380 lm/m | Ra>80
Product code: 96253

A versatile LED strip and driver



THE FOLLOWING ITEMS ARE INCLUDED

- ribbon, with in both ends driver
- 2 x 3m power cord with TOP connector
- driver 60W

KIT-PROCOM 5M + DRIVER

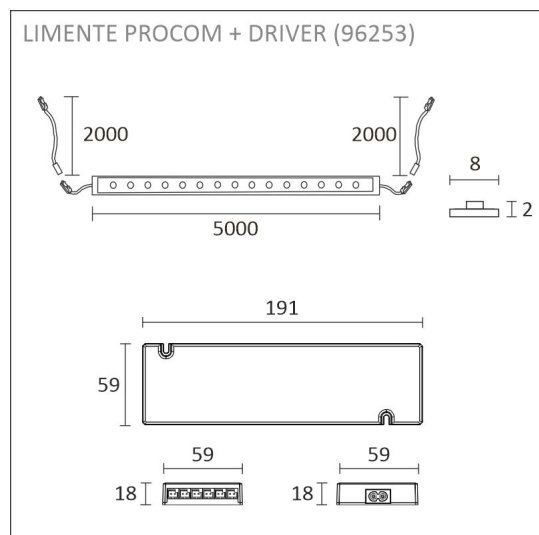
OVERVIEW

PRODUCT CODE	96253
GTIN-CODE	6430022824324
ELECTRICAL NUMBER	4143174
ETIM GENERAL NAME	
ETIM CLASS	
ETIM GROUP	
COLOUR	White
LAMP TYPE	

SPECIFICATIONS

PRODUCT DIMENSIONS	5000.0 x 8.0 x 2.0
MOUNTING METHOD	
COLOUR TEMPERATURE	4000 K
COLOUR RENDERING INDEX CRI	> 80
RATED LIFE TIME	54.000h (L80B10)
ENERGY EFFICIENCY CLASS	E
LUMINOUS FLUX	1380 lm/m
EFFICIENCY	144 lm/W
VOLTAGE	
INGRESS PROTECTION CODE	IP20
NUMBER OF LEDS/M	
INPUT POWER	48 W
NUMBER OF SWITCHING CYCLES	
AMBIENT TEMPERATURE RANGE	
INPUT POWER CONNECTOR	
WARRANTY PERIOD (MONTHS)	24
ADDITIONAL COVER (MONTHS)	
INSTALLATION AND OPERATING MANUAL	https://www.limente.fi/Images/productpics/instructions/limente_led-ribbon.pdf

KIT-PROCOM 5M + DRIVER



KIT-PROCOM 5M + DRIVER

