

KIT-RIBBON 2M + DRIVER

24 V | 4000K | IP20 | 128 led/m | 500 lm/m | Ra>80
Product code: 96251

A versatile LED strip and driver



THE FOLLOWING ITEMS ARE INCLUDED

- ribbon, with in both ends driver
- 2 x 2m power cord with TOP connector
- driver 30W

KIT-RIBBON 2M + DRIVER

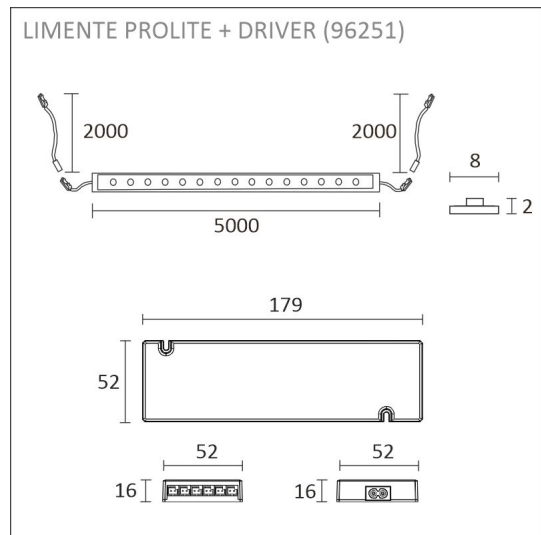
OVERVIEW

| | |
|-------------------|---------------|
| PRODUCT CODE | 96251 |
| GTIN-CODE | 6430022824300 |
| ELECTRICAL NUMBER | 4143176 |
| ETIM GENERAL NAME | |
| ETIM CLASS | |
| ETIM GROUP | |
| COLOUR | White |
| LAMP TYPE | |

SPECIFICATIONS

| | |
|-----------------------------------|---|
| PRODUCT DIMENSIONS | 5000.0 x 8.0 x 2.0 |
| MOUNTING METHOD | |
| COLOUR TEMPERATURE | 4000 K |
| COLOUR RENDERING INDEX CRI | > 80 |
| RATED LIFE TIME | 54.000h (L80B10) |
| ENERGY EFFICIENCY CLASS | E |
| LUMINOUS FLUX | 500 lm/m |
| EFFICIENCY | 104 lm/W |
| VOLTAGE | |
| INGRESS PROTECTION CODE | IP20 |
| NUMBER OF LEDS/M | |
| INPUT POWER | 24 W |
| NUMBER OF SWITCHING CYCLES | |
| AMBIENT TEMPERATURE RANGE | |
| INPUT POWER CONNECTOR | |
| WARRANTY PERIOD (MONTHS) | 24 |
| ADDITIONAL COVER (MONTHS) | |
| INSTALLATION AND OPERATING MANUAL | https://www.limente.fi/Images/productpics/instructions/limente_led-ribbon.pdf |

KIT-RIBBON 2M + DRIVER



KIT-RIBBON 2M + DRIVER

