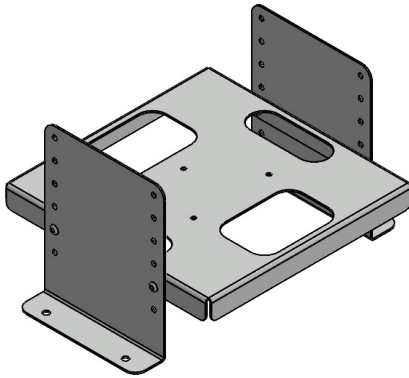


PLACE HOLDER 892 JA 894

| Place holder 892 ja 894

Product code: 680825



Floorsocket accessories 8799ASENNUS

Limente floor sockets offer a stylish and timeless solution for distributing electricity, data, and antenna signals in all kinds of locations. Floor sockets are particularly convenient in car dealerships, supermarkets, stores, offices, commercial spaces, ships, and even in homes around kitchen islands. The washable and drive-over sockets are especially suitable for larger open spaces such as hypermarkets, car dealerships, cafes, and restaurant customer areas. Sockets intended for dry indoor installations are designed for offices and meeting or office spaces.

All Limente floor sockets are made with either aluminum or stainless steel frames, and their covers can be metal or the same material as the floor (carpet, wood, stone, laminate, parquet, etc.)

[Learn more from our website](#)

Accessory options

Depending on the floor socket model, compatible accessories include:

[Learn more from our website](#)

Installation

The place holders reserves the space required for the floor socket during casting, and it is replaced by the socket immediately after the floor is finished. The leveling system raises the socket to the required height from the bottom by 20mm in steps.

THE FOLLOWING ITEMS ARE INCLUDED

- place holder

PLACE HOLDER 892-894-SERIE

OVERVIEW

PRODUCT CODE	680825
GTIN-CODE	6430022823587
ELECTRICAL NUMBER	2509185
ETIM GENERAL NAME	
ETIM CLASS	
ETIM GROUP	
COLOUR	
LAMP TYPE	

SPECIFICATIONS

PRODUCT DIMENSIONS	200.0 x 90.0 x 200.0
MOUNTING METHOD	
COLOUR TEMPERATURE	
COLOUR RENDERING INDEX CRI	
RATED LIFE TIME	
ENERGY EFFICIENCY CLASS	
LUMINOUS FLUX	
EFFICIENCY	
VOLTAGE	
INGRESS PROTECTION CODE	
NUMBER OF LEDS/M	
INPUT POWER	
NUMBER OF SWITCHING CYCLES	
AMBIENT TEMPERATURE RANGE	
INPUT POWER CONNECTOR	
WARRANTY PERIOD (MONTHS)	24
ADDITIONAL COVER (MONTHS)	
INSTALLATION AND OPERATING MANUAL	