

LENOX-2C

3000/4000 K | black | 290lm | CRI>90

Product code: 65269S4



A modern furniture light fixture

LIMENTE LENOX 2C is a beautiful, traditional light fixture with a modern design. The light is wide spread and pleasant, which makes LENOX 2C an excellent choice for a kitchen workspace, in showcases and on shelves. The LIMENTE LENOX 2C can be installed either on the surface (IP20) or recessed (IP44). The sets always include, in addition to the lights, wiring, the ability to change the color temperature (3000 K / 4000 K), and a power supply sized to match the number of lights. For controlling the lights (on/off and dimming), we recommend LIMENTE SMART lighting control sets. The high quality, metallic fixture is available in matte white, matte black, stainless steel or gold/brass color.

The LIMENTE LENOX 2C luminaire has two built in color temperatures: 3000K and 4000K. The color temperature is selected during installation. By choosing the desired color temperature, you can create the perfect lighting for your needs. All LIMENTE LENOX 2C fixtures use a new technique, which makes the light provided even and excellent in color temperature. This generates optimal light and is easy and pleasant for the eyes. Due to their amazing luminosity, the fixtures can be placed up to 60-80 cm apart! When the fixtures are placed on both sides of the cooker hood, you are able to receive excellent lighting to your cooktop.

Dimming, color temperature change and lighting control

Appropriate lighting for any occasion is made easy with our dimming and lighting control system. You can easily change the lighting and ambience in your home from efficient and bright to dim and cosy by dimming your LIMENTE LENOX-2C with our wireless system. You can use the same switch to adjust all the LIMENTE lights in the room, including various ceiling, panel and profile lights. The light adjusts smoothly at the same time while creating ambience for working, entertaining or any mood in between.

[Learn more from our website](#)

Easy installation

LIMENTE LENOX-2C is quick and easy to install. You can either install the fixture recessed or surface mounted. When installing the fixture recessed, make a hole in the piece of furniture in which the fixture is installed. Press the fixture into the hole to which the fixture attaches itself with springs in the fixture's body. When installed surface-mounted, use the installation ring included in delivery. Attach the ring into the chosen place with screws and press the fixture into the ring. The fixture attaches itself with springs in the fixture's body.

[Learn more from our website](#)

THE FOLLOWING ITEMS ARE INCLUDED

- 4 x spotlight
- 3m cable with male TOP connector
- mounting ring
- screws
- clear and milky lens
- driver
- Plastic Free packaging

LENOX 2C 4X4W BLACK SPOTLIGHT

OVERVIEW

PRODUCT CODE	65269S4
GTIN-CODE	6430022824829
ELECTRICAL NUMBER	4139814
ETIM GENERAL NAME	Furniture luminaire
ETIM CLASS	Downlight/spot/floodlight EC001744
ETIM GROUP	41 Indoor luminaires
COLOUR	Black
LAMP TYPE	LED

SPECIFICATIONS

PRODUCT DIMENSIONS	64.0 x 64.0 x 13.0
MOUNTING METHOD	Surface mounted/recessed mounted
COLOUR TEMPERATURE	3000 K, 4000 K
COLOUR RENDERING INDEX CRI	
RATED LIFE TIME	40.000h
ENERGY EFFICIENCY CLASS	
LUMINOUS FLUX	4 x 290 lm
EFFICIENCY	72,5 lm/W
VOLTAGE	24 V DC
INGRESS PROTECTION CODE	IP44/IP20
NUMBER OF LEDS/M	
INPUT POWER	4 W
NUMBER OF SWITCHING CYCLES	> 50 000
AMBIENT TEMPERATURE RANGE	-20°C -+50°C
INPUT POWER CONNECTOR	Top, hole Ø 8 mm
WARRANTY PERIOD (MONTHS)	24
ADDITIONAL COVER (MONTHS)	-
INSTALLATION AND OPERATING MANUAL	https://www.limente.fi/Images/productpics/instructions/limente_lenox_2c.pdf

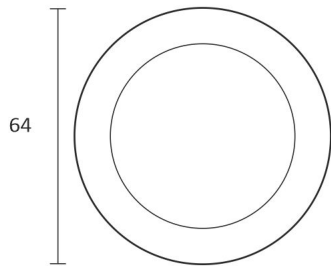
LENOX 2C 4X4W BLACK SPOTLIGHT

RECOMMENDED ACCESSORIES

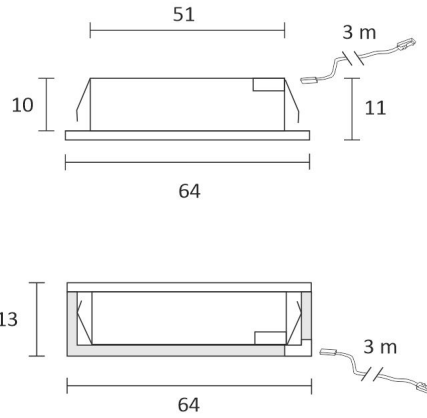
PRODUCT CODE	PRODUCT
640532	SMART 532, CLASSIC LIGHTCONTROL KIT, 24 V, WHITE
640551	SMART 551, LUXUS LIGHTCONTROL KIT, 24 V, WHITE
640552	SMART 552, LUXUS LIGHTCONTROL KIT, 24 V, WHITE
640554	SMART 554, LUXUS LIGHTCONTROL KIT, 24 V, BLACK
640556	SMART 556, GREENLINE LIGHTCONTROL KIT, 24 V, WHITE
640557	SMART 557, GREENLINE LIGHTCONTROL KIT, 24 V, WHITE

LENOX 2C 4X4W BLACK SPOTLIGHT

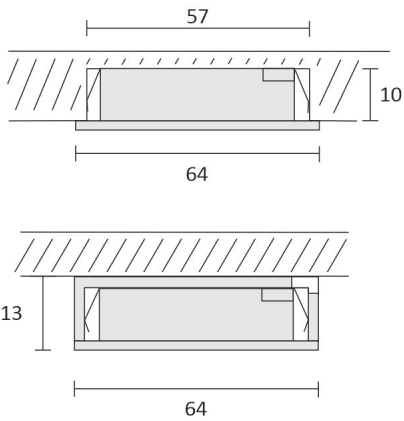
LIMENTE LENOX 2C



LIMENTE LENOX 2C



LIMENTE LENOX 2C



LIMENTE LENOX 2C

