

LENOX

white | 280lm | CRI>90

Product code: 65234S3



A modern furniture light fixture

LIMENTE LENOX is a beautiful, traditional light fixture with a modern design. The light is wide-spread and pleasant, which makes LENOX an excellent choice for a kitchen workspace, in showcases and on shelves. The stainless-steel finish makes LENOX a modern, timeless choice. LIMENTE LENOX can be installed either recessed or surface-mounted. The high-quality, metallic fixture is available in matte white, matte black, stainless steel or brass color

All LIMENTE LENOX fixtures use a new technique, which makes the light provided even and excellent in color temperature. This generates optimal light and is easy and pleasant on the eyes. Due to their amazing luminosity, the fixtures can be placed up to 60-80cm apart! When the fixtures are placed on both sides of the cooker hood, you are able to receive excellent lighting to your cooktop.

Dimming and lighting control

Appropriate lighting for any occasion is made easy with our dimming and lighting control system. You can easily change the lighting and ambience in your home from efficient and bright to dim and cosy by dimming your LIMENTE LENO 51 with our wireless system. You can use the same switch to adjust all the LIMENTE lights in the room, including various ceiling, panel and profile lights. The light adjusts smoothly at the same time while creating ambience for working, entertaining or any mood in between.

[Learn more from our website](#)

Easy installation

LIMENTE LENOX is quick and easy to install. You can either install the fixture recessed or surface-mounted.

[Learn more from our website](#)

THE FOLLOWING ITEMS ARE INCLUDED

- 3 x spotlight
- 3 x 3m cable with male TOP connector
- 3 x mounting ring
- screws
- driver
- plastic free packaging

LENOX 3X4W WH SPOTLIGHT

OVERVIEW

| | |
|-------------------|------------------------------------|
| PRODUCT CODE | 6523453 |
| GTIN-CODE | 6438400004290 |
| ELECTRICAL NUMBER | 4139883 |
| ETIM GENERAL NAME | Furniture luminaire |
| ETIM CLASS | Downlight/spot/floodlight EC001744 |
| ETIM GROUP | 41 Domestic light fittings |
| COLOUR | White |
| LAMP TYPE | LED |

SPECIFICATIONS

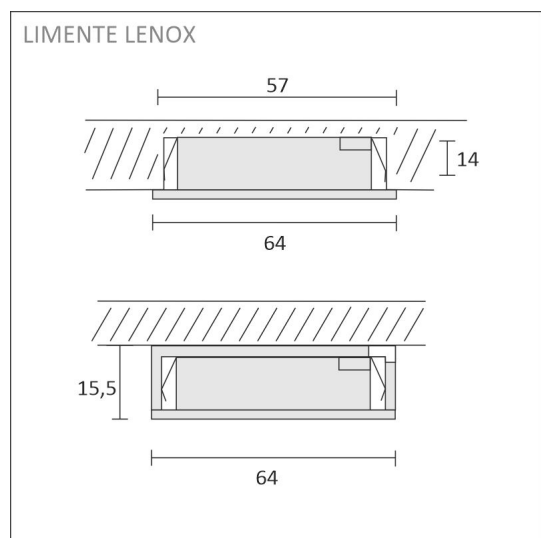
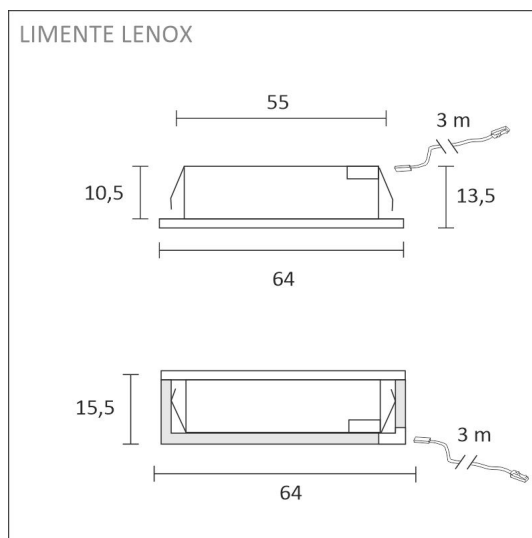
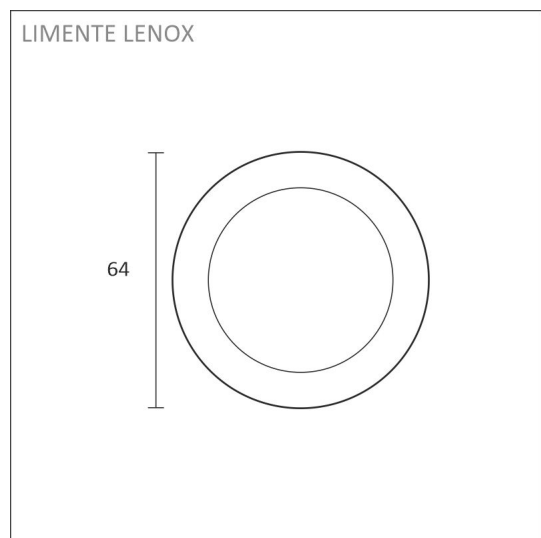
| | |
|-----------------------------------|---|
| PRODUCT DIMENSIONS | 64.0 x 64.0 x 15.5 |
| MOUNTING METHOD | Surface mounted/recessed mounted |
| COLOUR TEMPERATURE | 4000 K |
| COLOUR RENDERING INDEX CRI | > 90 |
| RATED LIFE TIME | |
| ENERGY EFFICIENCY CLASS | |
| LUMINOUS FLUX | 3 x 280 lm |
| EFFICIENCY | 75 lm/W |
| VOLTAGE | 24 V DC |
| INGRESS PROTECTION CODE | IP44/IP20 |
| NUMBER OF LEDS/M | |
| INPUT POWER | 3 x 4 W |
| NUMBER OF SWITCHING CYCLES | > 50 000 |
| AMBIENT TEMPERATURE RANGE | -20°C~50°C |
| INPUT POWER CONNECTOR | |
| WARRANTY PERIOD (MONTHS) | 24 |
| ADDITIONAL COVER (MONTHS) | 36 |
| INSTALLATION AND OPERATING MANUAL | https://www.limente.fi/Images/productpics/instructions/limente_led-lenox.pdf |

LENOX 3X4W WH SPOTLIGHT

RECOMMENDED ACCESSORIES

| PRODUCT CODE | PRODUCT |
|--------------|--|
| 640532 | SMART 532, CLASSIC LIGHTCONTROL KIT, 24 V, WHITE |
| 640551 | SMART 551, LUXUS LIGHTCONTROL KIT, 24 V, WHITE |
| 640552 | SMART 552, LUXUS LIGHTCONTROL KIT, 24 V, WHITE |
| 640554 | SMART 554, LUXUS LIGHTCONTROL KIT, 24 V, BLACK |
| 640556 | SMART 556, GREENLINE LIGHTCONTROL KIT, 24 V, WHITE |
| 640557 | SMART 557, GREENLINE LIGHTCONTROL KIT, 24 V, WHITE |
| 640425 | SMART 425, WIRELESS LIGHT CONTROL |

LENOX 3X4W WH SPOTLIGHT



LENOX 3X4W WH SPOTLIGHT

