

## LENOX

brass | 280lm | CRI>90

Product code: 65232-1



### A modern furniture light fixture

LIMENTE LENOX is a beautiful, traditional light fixture with a modern design. The light is wide-spread and pleasant, which makes LENOX an excellent choice for a kitchen workspace, in showcases and on shelves. LENOX is a modern, timeless choice. LIMENTE LENOX can be installed either recessed or surface-mounted. The high-quality, metallic fixture is available in matte white, matte black, stainless steel or brass color

All LIMENTE LENOX fixtures use a new technique, which makes the light provided even and excellent in color temperature. This generates optimal light and is easy and pleasant on the eyes. Due to their amazing luminosity, the fixtures can be placed up to 60-80cm apart! When the fixtures are placed on both sides of the cooker hood, you are able to receive excellent lighting to your cooktop.

### Dimming and lighting control

Appropriate lighting for any occasion is made easy with our dimming and lighting control system. You can easily change the lighting and ambience in your home from efficient and bright to dim and cosy by dimming your LIMENTE LENOX with our wireless system. You can use the same switch to adjust all the LIMENTE lights in the room, including various ceiling, panel and profile lights. The light adjusts smoothly at the same time while creating ambience for working, entertaining or any mood in between.

[Learn more from our website](#)

### Easy installation

LIMENTE LENOX is quick and easy to install. You can either install the fixture recessed or surface-mounted.

[Learn more from our website](#)

#### THE FOLLOWING ITEMS ARE INCLUDED

- spotlight
- 3m cable with male TOP connector
- mounting ring
- screws
- plastic free packaging

## LENOX 4000K BRASS

## OVERVIEW

PRODUCT CODE	65232-1
GTIN-CODE	6438400004405
ELECTRICAL NUMBER	4139894
ETIM GENERAL NAME	Furniture luminaire
ETIM CLASS	Downlight/spot/floodlight EC001744
ETIM GROUP	41 Domestic light fittings
COLOUR	Gold / Brass
LAMP TYPE	LED

## SPECIFICATIONS

PRODUCT DIMENSIONS	64.0 x 64.0 x 15.5
MOUNTING METHOD	Surface mounted/recessed mounted
COLOUR TEMPERATURE	4000 K
COLOUR RENDERING INDEX CRI	> 90
RATED LIFE TIME	40.000h
ENERGY EFFICIENCY CLASS	
LUMINOUS FLUX	280 lm
EFFICIENCY	70 lm/W
VOLTAGE	24 V DC
INGRESS PROTECTION CODE	IP44/IP20
NUMBER OF LEDS/M	
INPUT POWER	4 W
NUMBER OF SWITCHING CYCLES	> 50 000
AMBIENT TEMPERATURE RANGE	-20°C -+50°C
INPUT POWER CONNECTOR	
WARRANTY PERIOD (MONTHS)	24
ADDITIONAL COVER (MONTHS)	36
INSTALLATION AND OPERATING MANUAL	<a href="https://www.limente.fi/Images/productpics/instructions/limente_led-lenox.pdf">https://www.limente.fi/Images/productpics/instructions/limente_led-lenox.pdf</a>

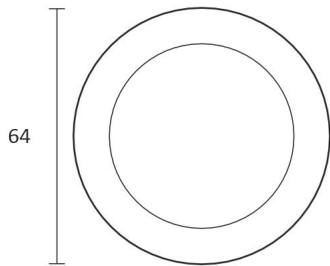
## LENOX 4000K BRASS

## RECOMMENDED ACCESSORIES

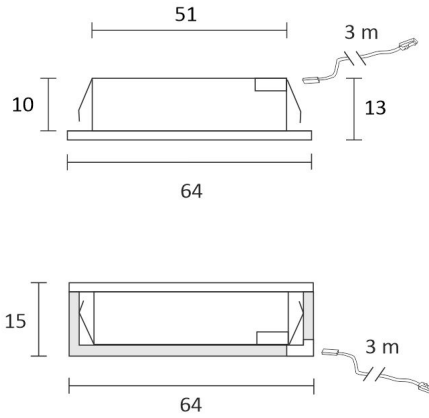
PRODUCT CODE	PRODUCT
640532	SMART 532, CLASSIC LIGHTCONTROL KIT, 24 V, WHITE
640551	SMART 551, LUXUS LIGHTCONTROL KIT, 24 V, WHITE
640552	SMART 552, LUXUS LIGHTCONTROL KIT, 24 V, WHITE
640556	SMART 556, GREENLINE LIGHTCONTROL KIT, 24 V, WHITE
640557	SMART 557, GREENLINE LIGHTCONTROL KIT, 24 V, WHITE
640425	SMART 425, WIRELESS LIGHT CONTROL

## LENOX 4000K BRASS

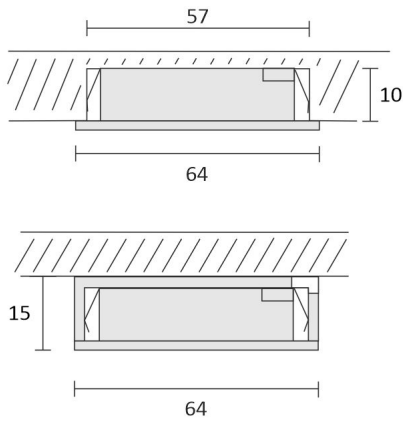
LIMENTE LENOX



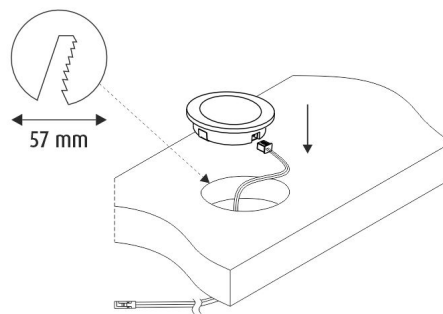
LIMENTE LENOX



LIMENTE LENOX



LIMENTE LENOX



## LENOX 4000K BRASS

