

FLAT-12 2C

white/black | 5 W | 270 lm

Product code: 65224S2



An extremely low furniture light fixture

LIMENTE FLAT-12 2C is a slim spot light with an ultra-thin body (only 8,8 mm) that makes the result look stylish easily. When installed on the underside of a cabinet or shelf, LIMENTE FLAT-12 2C spotlights look like recessed lights. LIMENTE FLAT-12 2C is easy and quick to install and the light comes from a wide area while being pleasantly even. There are no unpleasant shadows and dark spots on the surface to be illuminated, as may happen with traditional point lights.

The FLAT-12 2C lamp can be used in two different color temperatures. The alternatives are 3000 K warm light and pure white 4000 K. The choice of color temperature is carried out at the installation site according to the included installation instructions. Installation instructions can also be found on our website.

[Learn more from our website](#)

Dimming and lighting control

Suitable lighting for any occasion is made easy with our dimming and lighting control system. You can easily change the lighting and ambience in your home from efficient and bright to dim and cozy by dimming your LIMENTE FLAT-12 2C with our wireless system. You can use the same switch to adjust all the LIMENTE lights in the room, including various ceiling, panel and profile lights. The light adjusts smoothly at the same time while creating ambience for working, entertaining or any mood in between.

[Learn more from our website](#)

Easy installation

LIMENTE FLAT-12 2C is simple and quick to install on the desired surface. The spotlight is attached to the bottom of the furniture using small screws that come with the lamp, after which the frame is refitted.

[Learn more from our website](#)



THE FOLLOWING ITEMS ARE INCLUDED

- 2 x spotlight, 3 m power cord with TOP connector
- changeable frame: black/white
- 10 cm cable tray
- fasteners
- driver
- plastic free packaging

FLAT-12 2C 2X5W WH+BL SPOTLIGHT

OVERVIEW

| | |
|-------------------|------------------------------------|
| PRODUCT CODE | 65224S2 |
| GTIN-CODE | 6438400004047 |
| ELECTRICAL NUMBER | 4139860 |
| ETIM GENERAL NAME | Furniture luminaire |
| ETIM CLASS | Downlight/spot/floodlight EC001744 |
| ETIM GROUP | 41 Domestic light fittings |
| COLOUR | White |
| LAMP TYPE | LED |

SPECIFICATIONS

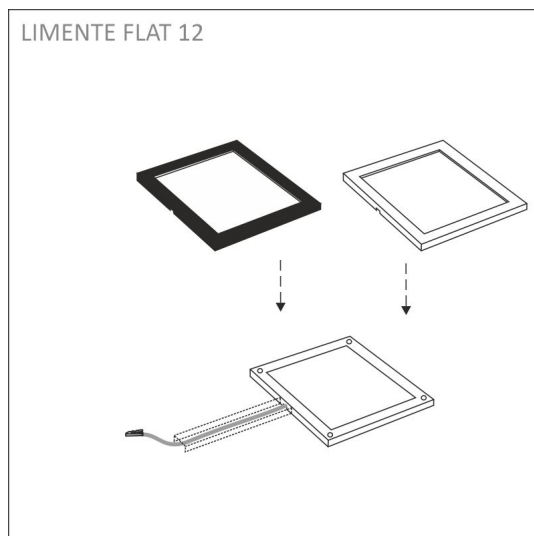
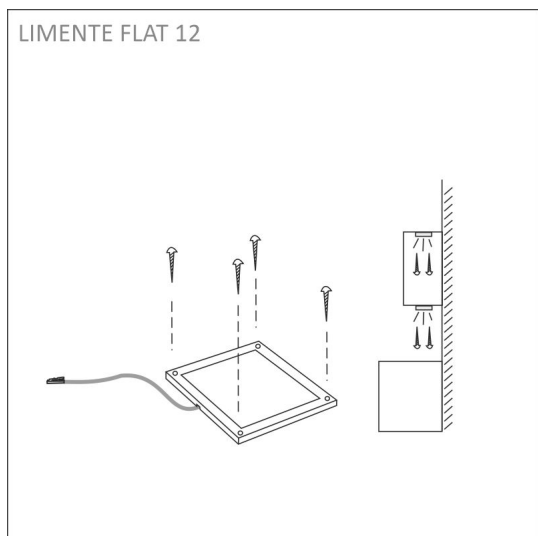
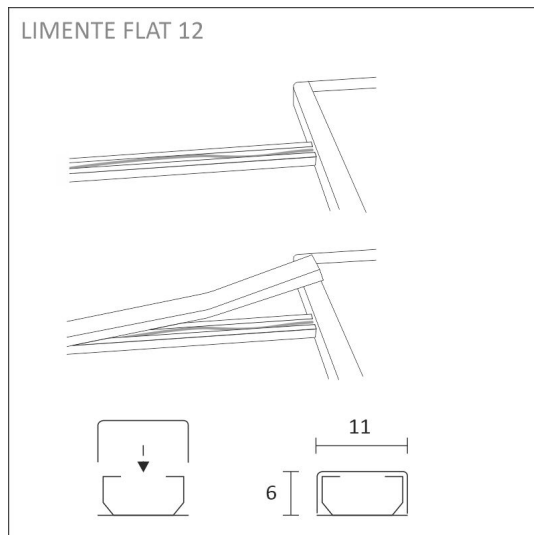
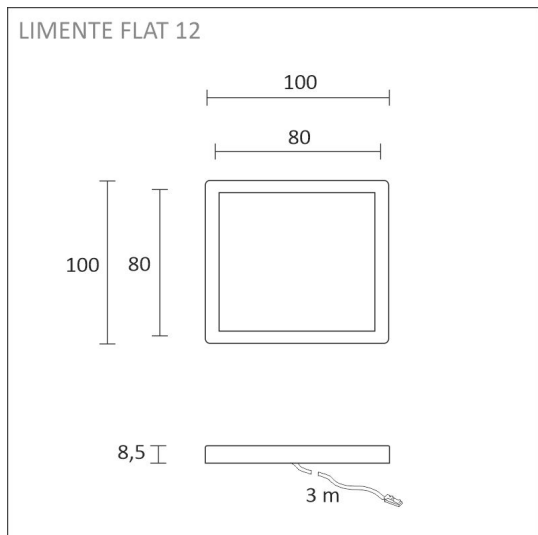
| | |
|-----------------------------------|---------------------------------------------------------------------------------------------------------------------------------------------------------------------------|
| PRODUCT DIMENSIONS | 100.0 x 100.0 x 8.8 |
| MOUNTING METHOD | Surface mounting |
| COLOUR TEMPERATURE | 3000 K, 4000 K |
| COLOUR RENDERING INDEX CRI | > 90 |
| RATED LIFE TIME | 40.000h |
| ENERGY EFFICIENCY CLASS | |
| LUMINOUS FLUX | 2 x 270 lm |
| EFFICIENCY | 54 lm/W |
| VOLTAGE | 24 V DC |
| INGRESS PROTECTION CODE | IP20 |
| NUMBER OF LEDS/M | |
| INPUT POWER | 2 x 5 W |
| NUMBER OF SWITCHING CYCLES | > 50 000 |
| AMBIENT TEMPERATURE RANGE | -20°C - +40°C |
| INPUT POWER CONNECTOR | |
| WARRANTY PERIOD (MONTHS) | 24 |
| ADDITIONAL COVER (MONTHS) | - |
| INSTALLATION AND OPERATING MANUAL | https://www.limente.fi/Images/productpics/instructions/limente_flat_12_2c.pdf |

FLAT-12 2C 2X5W WH+BL SPOTLIGHT

RECOMMENDED ACCESSORIES

| PRODUCT CODE | PRODUCT |
|--------------|----------------------------------------------------|
| 640532 | SMART 532, CLASSIC LIGHTCONTROL KIT, 24 V, WHITE |
| 640551 | SMART 551, LUXUS LIGHTCONTROL KIT, 24 V, WHITE |
| 640552 | SMART 552, LUXUS LIGHTCONTROL KIT, 24 V, WHITE |
| 640554 | SMART 554, LUXUS LIGHTCONTROL KIT, 24 V, BLACK |
| 640556 | SMART 556, GREENLINE LIGHTCONTROL KIT, 24 V, WHITE |
| 640557 | SMART 557, GREENLINE LIGHTCONTROL KIT, 24 V, WHITE |
| 640554 | SMART 554, LUXUS LIGHTCONTROL KIT, 24 V, BLACK |
| 640425 | SMART 425, WIRELESS LIGHT CONTROL |

FLAT-12 2C 2X5W WH+BL SPOTLIGHT



FLAT-12 2C 2X5W WH+BL SPOTLIGHT

