

## FLAT-12 2C

white/black | 5 W | 270 lm

Product code: 65224S1



### An extremely low furniture light fixture

LIMENTE FLAT-12 2C is a slim spot light with an ultra-thin body (only 8,8 mm) that makes the result look stylish easily. When installed on the underside of a cabinet or shelf, LIMENTE FLAT-12 2C spotlights look like recessed lights. LIMENTE FLAT-12 2C is easy and quick to install and the light comes from a wide area while being pleasantly even. There are no unpleasant shadows and dark spots on the surface to be illuminated, as may happen with traditional point lights.

The FLAT-12 2C lamp can be used in two different color temperatures. The alternatives are 3000 K warm light and pure white 4000 K. The choice of color temperature is carried out at the installation site according to the included installation instructions. Installation instructions can also be found on our website.

[Learn more from our website](#)

### Dimming and lighting control

Suitable lighting for any occasion is made easy with our dimming and lighting control system. You can easily change the lighting and ambience in your home from efficient and bright to dim and cozy by dimming your LIMENTE FLAT-12 2C with our wireless system. You can use the same switch to adjust all the LIMENTE lights in the room, including various ceiling, panel and profile lights. The light adjusts smoothly at the same time while creating ambience for working, entertaining or any mood in between.

[Learn more from our website](#)

### Easy installation

LIMENTE FLAT-12 2C is simple and quick to install on the desired surface. The spotlight is attached to the bottom of the furniture using small screws that come with the lamp, after which the frame is refitted.

[Learn more from our website](#)



### THE FOLLOWING ITEMS ARE INCLUDED

- spotlight with 3m power cord and TOP connector
- changeable frame: black/white
- 10cm cable tray
- fasteners
- driver
- plastic free packaging

## FLAT-12 2C 1X5W WH+BL SPOTLIGHT

## OVERVIEW

PRODUCT CODE	65224S1
GTIN-CODE	6438400004030
ELECTRICAL NUMBER	4139859
ETIM GENERAL NAME	Furniture luminaire
ETIM CLASS	Downlight/spot/floodlight EC001744
ETIM GROUP	41 Domestic light fittings
COLOUR	White
LAMP TYPE	LED

## SPECIFICATIONS

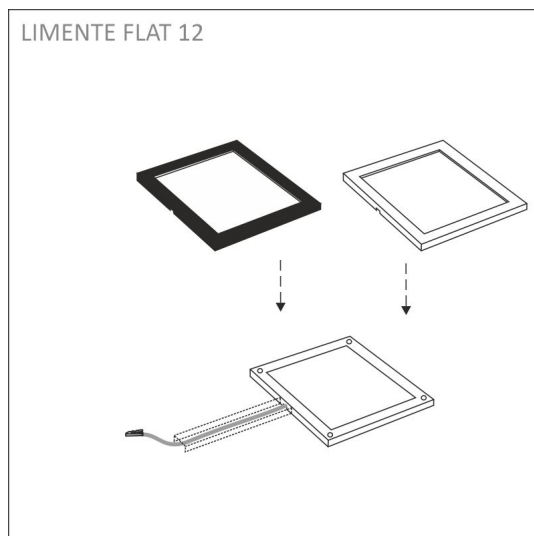
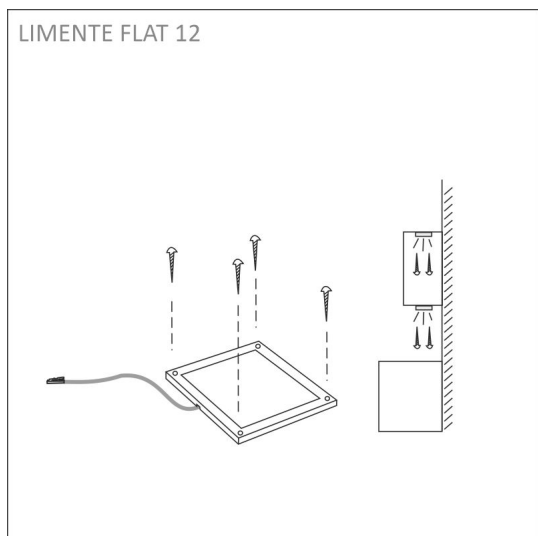
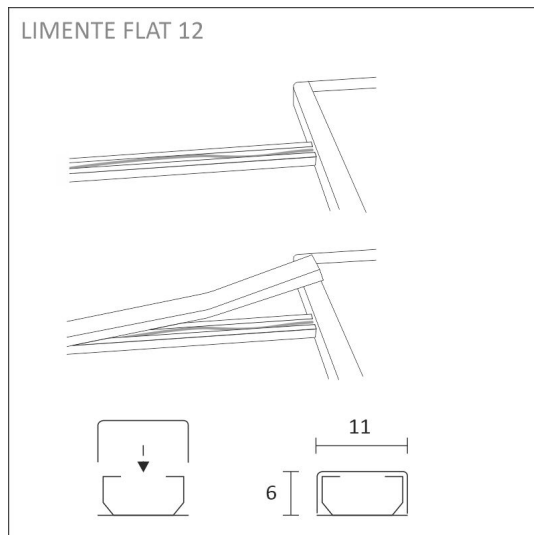
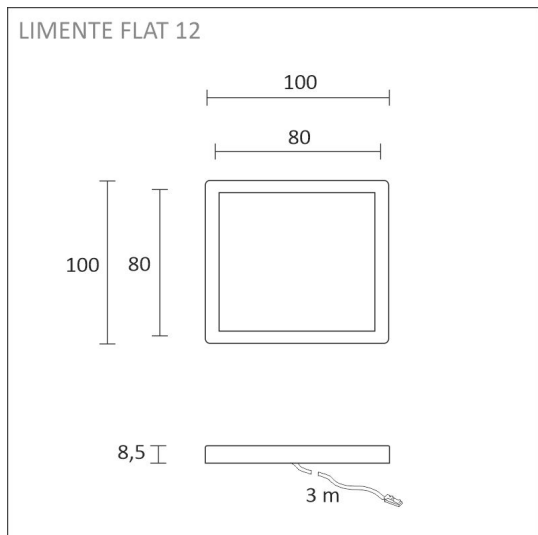
PRODUCT DIMENSIONS	100.0 x 100.0 x 8.8
MOUNTING METHOD	Surface mounting
COLOUR TEMPERATURE	3000 K, 4000 K
COLOUR RENDERING INDEX CRI	> 90
RATED LIFE TIME	40.000h
ENERGY EFFICIENCY CLASS	
LUMINOUS FLUX	270 lm
EFFICIENCY	54 lm/W
VOLTAGE	24 V DC
INGRESS PROTECTION CODE	IP20
NUMBER OF LEDS/M	
INPUT POWER	5 W
NUMBER OF SWITCHING CYCLES	> 50 000
AMBIENT TEMPERATURE RANGE	-20°C - +40°C
INPUT POWER CONNECTOR	
WARRANTY PERIOD (MONTHS)	24
ADDITIONAL COVER (MONTHS)	-
INSTALLATION AND OPERATING MANUAL	<a href="https://www.limente.fi/Images/productpics/instructions/limente_flat_12_2c.pdf">https://www.limente.fi/Images/productpics/instructions/limente_flat_12_2c.pdf</a>

## FLAT-12 2C 1X5W WH+BL SPOTLIGHT

## RECOMMENDED ACCESSORIES

PRODUCT CODE	PRODUCT
640532	SMART 532, CLASSIC LIGHTCONTROL KIT, 24 V, WHITE
640551	SMART 551, LUXUS LIGHTCONTROL KIT, 24 V, WHITE
640552	SMART 552, LUXUS LIGHTCONTROL KIT, 24 V, WHITE
640554	SMART 554, LUXUS LIGHTCONTROL KIT, 24 V, BLACK
640556	SMART 556, GREENLINE LIGHTCONTROL KIT, 24 V, WHITE
640557	SMART 557, GREENLINE LIGHTCONTROL KIT, 24 V, WHITE
640554	SMART 554, LUXUS LIGHTCONTROL KIT, 24 V, BLACK
640425	SMART 425, WIRELESS LIGHT CONTROL

## FLAT-12 2C 1X5W WH+BL SPOTLIGHT



## FLAT-12 2C 1X5W WH+BL SPOTLIGHT

