

LUXA-32 (4-IN-1)

socket | black | integrated 24 V driver | double switch
Product code: 631239



A double power socket with controllable 24 V driver and connector

LIMENTE LUXA-2 is designed for kitchen workspaces. The power socket can also be used to control the lighting in the kitchen workspace! LIMENTE LUXA-2 is quick and easy to install, and due to its design, the socket suits every type of lighting. The power socket has an oblique design, which makes it easy to use. You are always able to clearly see the angle in which plugs are to be connected in the sockets. This way the sockets are always on hand and available! LUXA power sockets always have double sockets and an ON/OFF switch for a separate connector. Use the switch to control the lighting in your kitchen workspace, for example! Combine LIMENTE LUXA with any LIMENTE lighting sets and create a stylish lighting design, which you are able to control from the switch integrated in LUXA power socket. All power sockets are made of metal either in stainless steel or white and are child proof. LIMENTE LUXA is a simple way to change your traditional, fluorescent lighting into a modern led-lighting without heavy electrical work. Install LIMENTE LUXA in the same place where the fluorescent light fixture used to be. LIMENTE LUXA has two sockets, which replace the sockets in the fluorescent light fixture. Connect any LIMENTE lighting set to the separate connector, and use the switch to control your new and improved kitchen lighting!

Color choices

LIMENTE LUXA-2 is available in three different colors: stainless steel, white (RAL9003), and black (RAL9004).

Installation

Determine the place, where the power supply will be imported, or use an existing power supply cable. The socket must be installed in a corner ensuring the back sides of the socket do not remain open to exposure. The mounting takes place with the supplied screws. Please see further instructions in the installation guide. LIMENTE LUXA-2 socket requires its own power supply (max. 16 A). Connect the power supply cable into the connectors of the outlet. Finally, attach the outlet to a solid surface using the screws supplied. Please see further instructions in the installation guide.

THE FOLLOWING ITEMS ARE INCLUDED

- double socket
- integrated 30W driver controlled by an integrated switch
- 2 x driver for LED luminaires female with TOP connectors
- ON/OFF 240 V supply
- quick connector for connection
- plastic free packaging

LUXA-32 SOCKET INCL. SWITCH BL

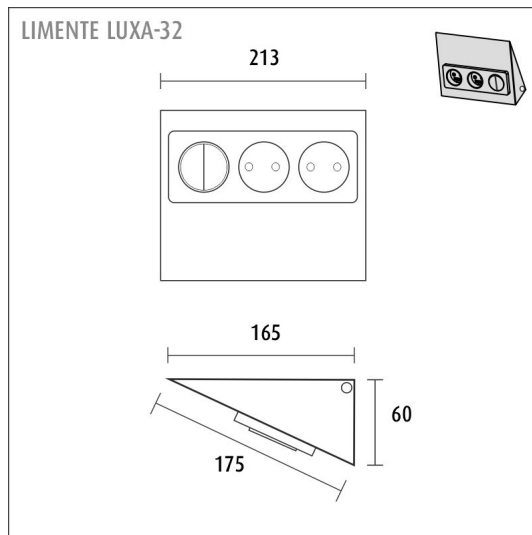
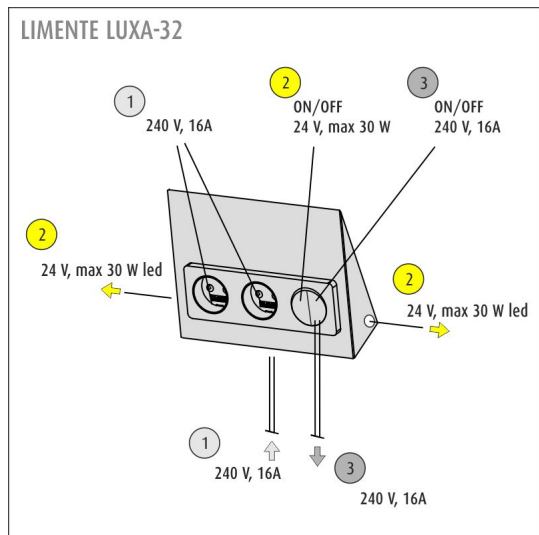
OVERVIEW

PRODUCT CODE	631239
GTIN-CODE	6438400002975
ELECTRICAL NUMBER	2407138
ETIM GENERAL NAME	Socket outlet+switch
ETIM CLASS	Socket outlet EC000125
ETIM GROUP	24 Surface mounting socket-outlets and plugs
COLOUR	Black
LAMP TYPE	-

SPECIFICATIONS

PRODUCT DIMENSIONS	213.0 x 165.0 x 60.0
MOUNTING METHOD	Surface mounting
COLOUR TEMPERATURE	
COLOUR RENDERING INDEX CRI	-
RATED LIFE TIME	
ENERGY EFFICIENCY CLASS	
LUMINOUS FLUX	-
EFFICIENCY	-
VOLTAGE	240 V, 24 V DC
INGRESS PROTECTION CODE	IP20
NUMBER OF LEDS/M	
INPUT POWER	-
NUMBER OF SWITCHING CYCLES	-
AMBIENT TEMPERATURE RANGE	-20°C~45°C
INPUT POWER CONNECTOR	
WARRANTY PERIOD (MONTHS)	24
ADDITIONAL COVER (MONTHS)	-
INSTALLATION AND OPERATING MANUAL	https://www.limente.fi/Images/productpics/instructions/limente_luxa.pdf

LUXA-32 SOCKET INCL. SWITCH BL



LUXA-32 SOCKET INCL. SWITCH BL

