

## MINI-2

socket | stainless steel |

Product code: 630581



### Versatile power sockets

The LIMENTE MINI power sockets are designed as versatile power socket options for kitchen workspaces. Due to their minimalistic design, they go together with any type of light fixtures. They are quick and easy to install. The power sockets have an oblique design, which makes them easy to use. You are always able to clearly see the angle in which plugs are to be connected in the sockets. This way the sockets are always on hand and available! LIMENTE MINI-2 is made of metal in stainless steel, white, or black, and is child proof.

LIMENTE MINI-2 has sockets for two plugs. LIMENTE MINI power sockets are also available as single and triple. Combine MINI power sockets freely to suit your needs!

[Learn more from our website](#)

### Color choices

LIMENTE MINI-2 is available in stainless steel, white, and black.

### Installation

Determine the place, where the power supply will be imported, or use an existing power supply cable. The power socket must be installed in a corner ensuring the back sides of the power socket do not remain open to exposure. The mounting takes place with the supplied screws. Please see further instructions in the installation guide.

[Learn more from our website](#)



### THE FOLLOWING ITEMS ARE INCLUDED

- socket
- mounting screws
- quick connector
- plastic free packaging

## MINI-2 SOCKET SS

## OVERVIEW

PRODUCT CODE	630581
GTIN-CODE	6430022827844
ELECTRICAL NUMBER	2407102
ETIM GENERAL NAME	Socket
ETIM CLASS	Socket outlet EC000125
ETIM GROUP	24 Surface mounting socket-outlets and plugs
COLOUR	Stainless steel
LAMP TYPE	-

## SPECIFICATIONS

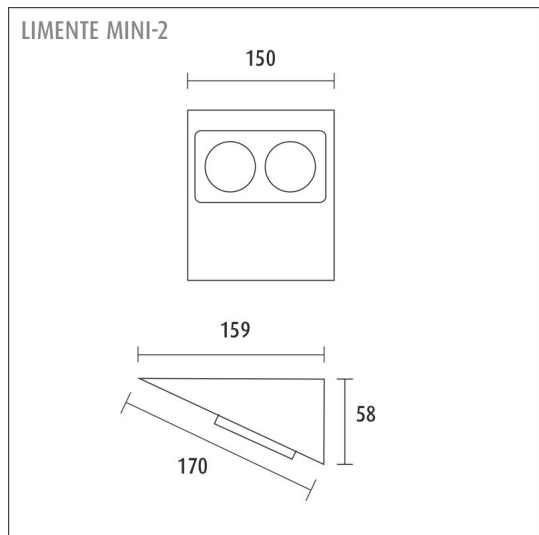
PRODUCT DIMENSIONS	150.0 x 160.0 x 58.0
MOUNTING METHOD	Surface mounting
COLOUR TEMPERATURE	
COLOUR RENDERING INDEX CRI	-
RATED LIFE TIME	
ENERGY EFFICIENCY CLASS	
LUMINOUS FLUX	-
EFFICIENCY	-
VOLTAGE	240 V
INGRESS PROTECTION CODE	IP20
NUMBER OF LEDS/M	
INPUT POWER	-
NUMBER OF SWITCHING CYCLES	-
AMBIENT TEMPERATURE RANGE	-20°C~50°C
INPUT POWER CONNECTOR	
WARRANTY PERIOD (MONTHS)	24
ADDITIONAL COVER (MONTHS)	-
INSTALLATION AND OPERATING MANUAL	<a href="https://www.limente.fi/Images/productpics/instructions/limente_mini-2_mini-3_luna-2.pdf">https://www.limente.fi/Images/productpics/instructions/limente_mini-2_mini-3_luna-2.pdf</a>

## MINI-2 SOCKET SS

### RECOMMENDED ACCESSORIES

PRODUCT CODE	PRODUCT
680805	CONNECTOR, (MINI-2, MINI-3, LUNA-2, MIRO, DELTA), 20 PCS
680806	CONNECTOR, (MINI-2, MINI-3, LUNA-2, MIRO, DELTA), 5 PCS

## MINI-2 SOCKET SS



## MINI-2 SOCKET SS

