

DRI 09

white | 9 W | 830 lm | CRI>80

Product code: 62728



An efficient and low panel light fixture

The low and unobtrusive recessed LIMENTE panel light fixture provides a smooth, spotless light. LIMENTE DRI has a very low installation height and therefore the fixture can be installed into every type of suspended ceiling. In addition to the height of the light fixture, the space required by the power supply needs to be taken into consideration in the height of the mounting space (see measurements). The recessed model is also available in square form (LIMENTE DSI). LIMENTE DRI has an IP44 classification, which makes it suitable to use in humid conditions, as well as in any dry space.

LIMENTE panel lights have the same color temperature as all other LIMENTE lights making it easy to combine different types of light fixtures. Combine LED profile fixtures with different types of ceiling light fixtures (pendants or panels) to create your own unique, pleasant and unified lighting design.

[Learn more from our website](#)

Dimming and lighting control

LIMENTE DRI is not dimmable. If you wish to dim your LIMENTE DRI, see LIMENTE DRI DIM.

Easy installation

LIMENTE panel light fixtures are quick and easy to install. The fixture is recessed and embedded in the ceiling, and each fixture contains a quick connector for the power supply (chained connector).

[Learn more from our website](#)



THE FOLLOWING ITEMS ARE INCLUDED

- panel lamp, power cord with male connector
- driver with female connector
- a junction box connected to the power supply
- plastic free packaging

DRI-09 WH PANEL LIGHT

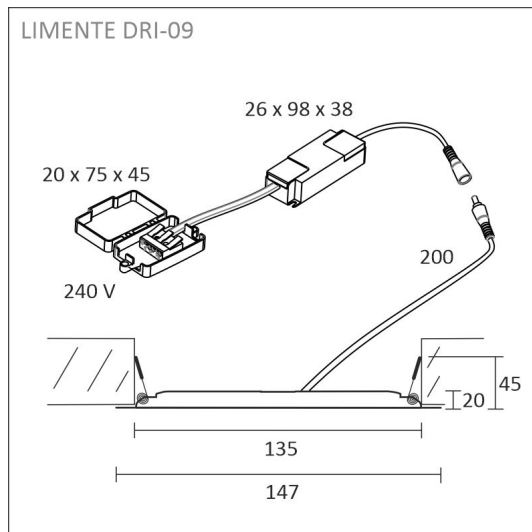
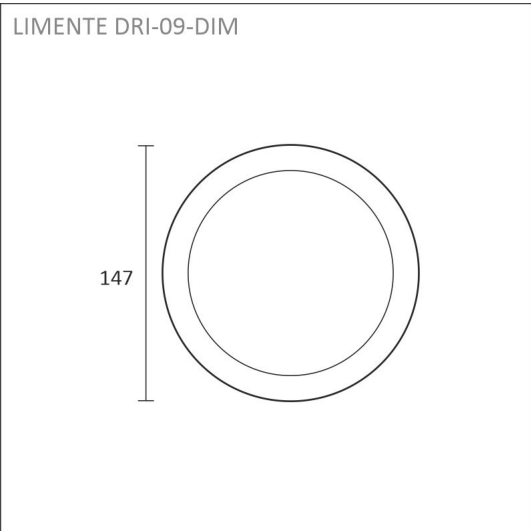
OVERVIEW

PRODUCT CODE	62728
GTIN-CODE	6438400001411
ELECTRICAL NUMBER	4129693
ETIM GENERAL NAME	Downlight
ETIM CLASS	Downlight/spot/floodlight EC001744
ETIM GROUP	41 Domestic light fittings
COLOUR	White
LAMP TYPE	LED

SPECIFICATIONS

PRODUCT DIMENSIONS	147.0 x 147.0 x 22.0
MOUNTING METHOD	Flush mounting
COLOUR TEMPERATURE	4000 K
COLOUR RENDERING INDEX CRI	> 80
RATED LIFE TIME	45.000h
ENERGY EFFICIENCY CLASS	
LUMINOUS FLUX	830 lm
EFFICIENCY	92 lm/W
VOLTAGE	240 V
INGRESS PROTECTION CODE	IP44
NUMBER OF LEDS/M	
INPUT POWER	9 W
NUMBER OF SWITCHING CYCLES	> 50 000
AMBIENT TEMPERATURE RANGE	-20°C -+50°C
INPUT POWER CONNECTOR	
WARRANTY PERIOD (MONTHS)	24
ADDITIONAL COVER (MONTHS)	36
INSTALLATION AND OPERATING MANUAL	https://www.limente.fi/Images/productpics/instructions/limente_led-dr.pdf

DRI-09 WH PANEL LIGHT



DRI-09 WH PANEL LIGHT

