

## DSI 12DIM

white | dimmable | 12 W | 1100 lm | CRI>90

Product code: 62724



### An efficient and low panel light fixture

The low and unobtrusive recessed LIMENTE panel light fixture provides a smooth, spotless light. LIMENTE DSI DIM has a very low installation height and therefore the fixture can be installed into every type of suspended ceiling. In addition to the height of the light fixture, the space required by the power supply needs to be taken into consideration in the height of the mounting space (see measurements). The recessed model is also available in round form (LIMENTE DRI). LIMENTE DSI DIM has an IP44 classification, which makes it suitable to use in humid conditions, as well as in any dry space.

LIMENTE panel lights have the same color temperature as all other LIMENTE lights making it easy to combine different types of light fixtures. Combine LED profile fixtures with different types of ceiling light fixtures (pendants or panels) to create your own unique, pleasant and unified lighting design.

[Learn more from our website](#)

### Dimming and lighting control

Appropriate lighting for any occasion is made easy with our dimming and lighting control system. You can easily change the lighting and ambience in your home from efficient and bright to dim and cosy by dimming your LIMENTE DSI DIM with our wireless system. You can use the same switch to adjust all the LIMENTE lights in the room, including various ceiling, panel and profile lights. The light adjusts smoothly at the same time while creating ambience for working, entertaining or any mood in between.

[Learn more from our website](#)

### Easy installation

LIMENTE panel light fixtures are quick and easy to install. The fixture is recessed and embedded in the ceiling, and each fixture contains a quick connector for the power supply (chained connector).

[Learn more from our website](#)

THE FOLLOWING ITEMS ARE INCLUDED

## DSI-12DIM WH PANEL LIGHT

## OVERVIEW

PRODUCT CODE	62724
GTIN-CODE	6438400000759
ELECTRICAL NUMBER	4129659
ETIM GENERAL NAME	Downlight
ETIM CLASS	Downlight/spot/floodlight EC001744
ETIM GROUP	41 Domestic light fittings
COLOUR	White
LAMP TYPE	LED

## SPECIFICATIONS

PRODUCT DIMENSIONS	174.0 x 174.0 x 20.0
MOUNTING METHOD	Flush mounting
COLOUR TEMPERATURE	4000 K
COLOUR RENDERING INDEX CRI	> 90
RATED LIFE TIME	40.000h (L80B10)
ENERGY EFFICIENCY CLASS	
LUMINOUS FLUX	1100 lm
EFFICIENCY	89 lm/W
VOLTAGE	240 V
INGRESS PROTECTION CODE	IP44
NUMBER OF LEDS/M	
INPUT POWER	12 W
NUMBER OF SWITCHING CYCLES	> 50 000
AMBIENT TEMPERATURE RANGE	-20°C~50°C
INPUT POWER CONNECTOR	Fixed installation
WARRANTY PERIOD (MONTHS)	24
ADDITIONAL COVER (MONTHS)	12
INSTALLATION AND OPERATING MANUAL	<a href="https://www.limente.fi/Images/productpics/instructions/limente_led-dr.pdf">https://www.limente.fi/Images/productpics/instructions/limente_led-dr.pdf</a>

## DSI-12DIM WH PANEL LIGHT

### RECOMMENDED ACCESSORIES

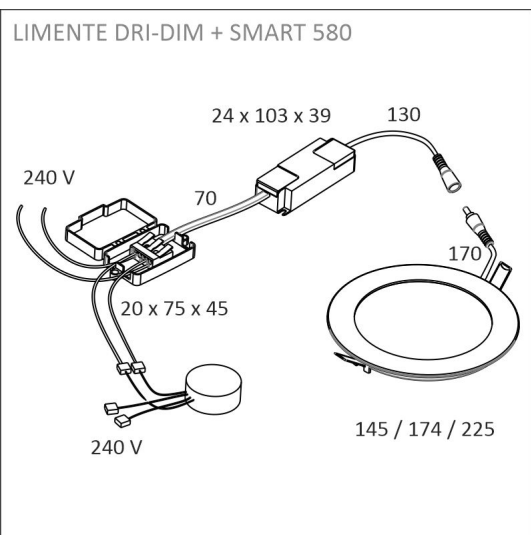
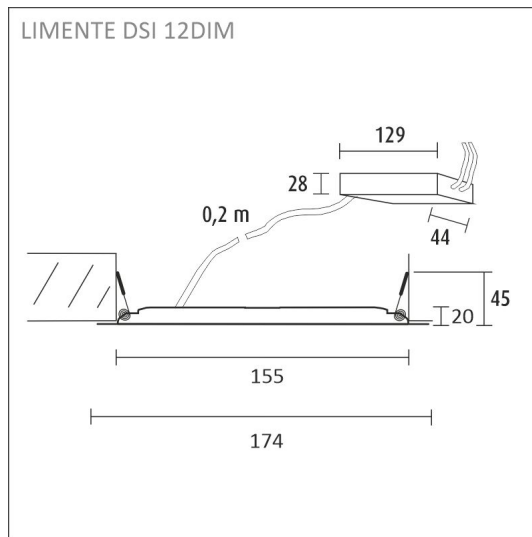
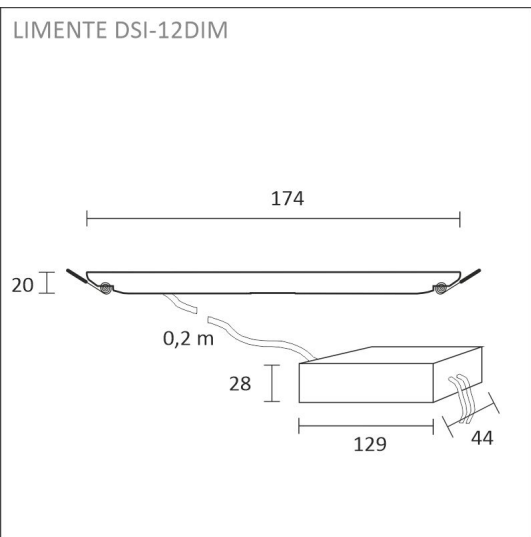
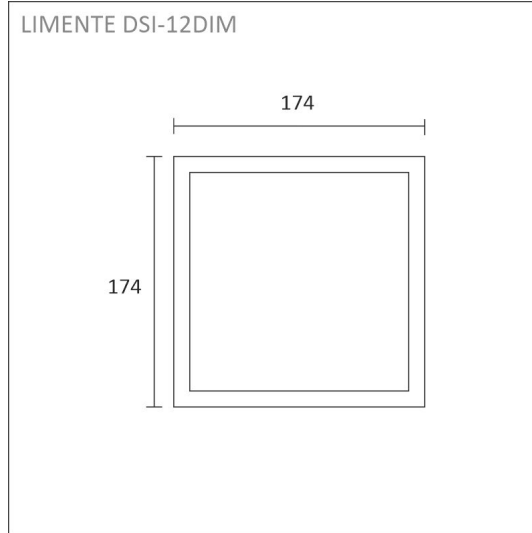
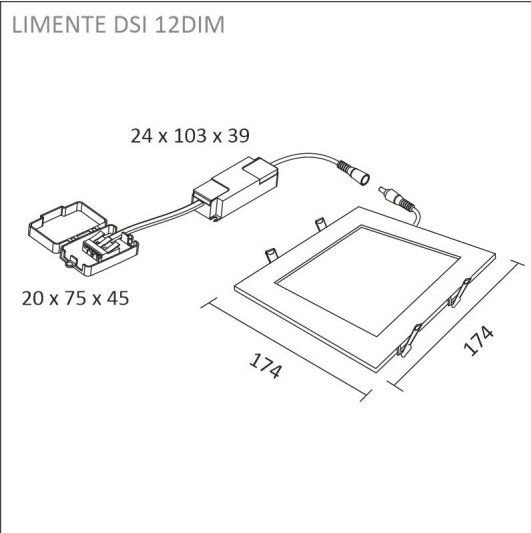
**PRODUCT CODE**

640580

**PRODUCT**

SMART 580, RECEIVER, 240 V

## DSI-12DIM WH PANEL LIGHT



## DSI-12DIM WH PANEL LIGHT

