

CONDENS WATER SEPARATOR

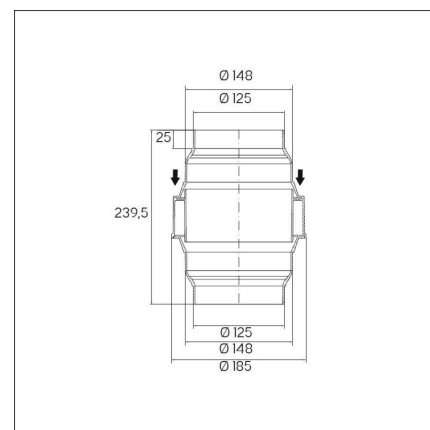
Product code 810000

Product description

Prevents return flow of condensing water to the hood in case of vertical waste air routing. Flow-optimised design by avoiding sharp edges that stall the flow. Two-sided connection of hoses and pipes to \varnothing 125 mm and \varnothing 150 mm possible. When connected to \varnothing 150 mm, the \varnothing -125 section has to be separated at the cutting line provided.



Technical information



Delivery content

- condens water separator



Downloads

Recommended accessories