

BLANCO METRA 8 S

Silgranit anthrazit

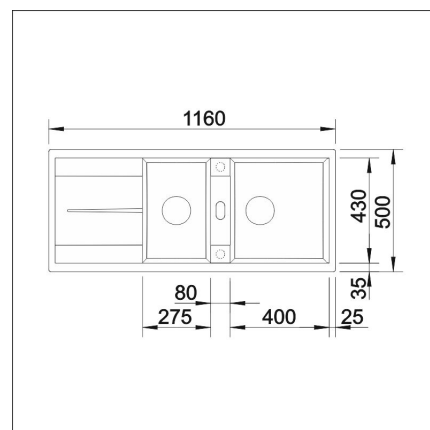
Product code 4159**Product description**

CLEAR LINES WITH MAXIMAL COMFORT

Metra have two sinks and a practical drainer area. The sink is practically shaped and has a stylish straight-lined design. Silgranit is a sink material developed and patented by BLANCO. It provides the sink an unsurpassed hardness and scratch resistance. It's heat resistant up to 280°C. Silgranit is hygienic and easy to take care off.

**Technical information**

- Sink cabin minimum length: 80 cm
- Material: kivikomposiitti
- Sink installation method: Inset
- Waste: 3,5" basket strainer no pop-up
- Depth of main sink: 190 mm

**Delivery content**

- BLANCO Silgranit sink
- bottom valve system
- domestic Prevox Smartloc water trap

**Downloads**

- Prevox Smartloc instructions
- Assembling instruction
- Huolto- ja hoito-ohje
- Material information
- Cutout dimensions
- Declaration of conformity
- Tap hole making

Recommended accessories

BLANCO DeepClean
[Read more >>](#)



Blanco DailyClean+
[Read more >>](#)



Cutting board
[Read more >>](#)



Foldable Grid
[Read more >>](#)

LATO
[Read more >>](#)