

## BLANCO METRA 6 S XL

Silgranit anthrazit

### Product code 4149

### Product description

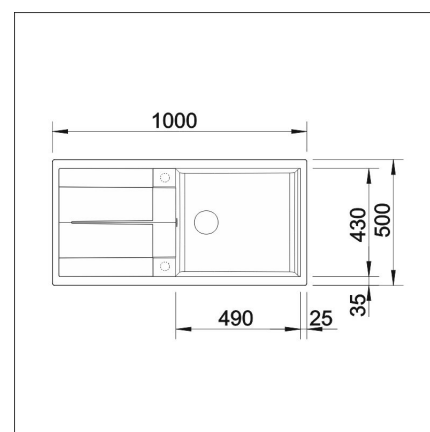
CLEAR LINES WITH MAXIMAL COMFORT

Metra has a big sink and a handy drainer area. The sink is practically shaped and has a stylish straight-lined design. Silgranit is a sink material developed and patented by BLANCO. It provides the sink an unsurpassed hardness and scratch resistance. It's heat resistant up to 280°C. Silgranit is hygienic and easy to take care off.



### Technical information

- Sink cabin minimum length: 60 cm
- Material: kivikomposiitti
- Sink installation method: Inset
- Waste: 3,5" basket strainer pop-up
- Depth of main sink: 190 mm



### Delivery content

- BLANCO Silgranit sink
- bottom valve system with remote control
- domestic Prevox Smartloc water trap



### Downloads

- Prevox Smartloc instructions
- Assembling instruction
- Huolto- ja hoito-ohje
- Material information
- Cutout dimensions
- Declaration of conformity
- Tap hole making

### Recommended accessories



**BLANCO DeepClean**  
[Read more >>](#)



**Blanco DailyClean+**  
[Read more >>](#)



**Cutting board**  
[Read more >>](#)



**Foldable Grid**  
[Read more >>](#)

**LATO**  
[Read more >>](#)