

BLANCO METRA 6 S XL

Silgranit coffee

Product code 4144

Product description

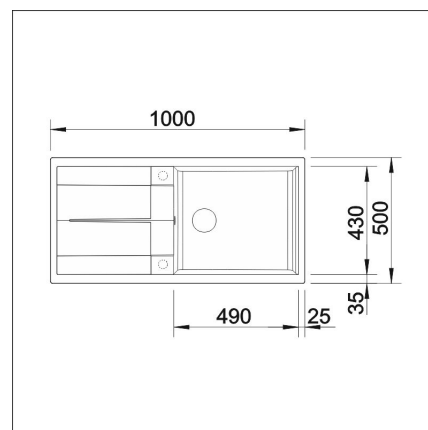
CLEAR LINES WITH MAXIMAL COMFORT

Metra has a big sink and a handy drainer area. The sink is practically shaped and has a stylish straight-lined design. Silgranit is a sink material developed and patented by BLANCO. It provides the sink an unsurpassed hardness and scratch resistance. It's heat resistant up to 280°C. Silgranit is hygienic and easy to take care off.



Technical information

- Sink cabin min. length: 60 cm
- Material: kivikomposiitti
- Sink installation method: Inset
- Waste: 3,5" basket strainer pop-up
- Depth of main sink: 190 mm



Delivery content

- BLANCO Silgranit sink
- bottom valve system with remote control
- domestic Prevox Smartloc water trap



Downloads

- Prevox Smartloc instructions
- Assembling instruction
- Huolto- ja hoito-ohje
- Material information
- Cutout dimensions
- Declaration of conformity
- Tap hole making

Recommended accessories



Blanco DailyClean+
[Read more >>](#)



Cutting board
[Read more >>](#)



Foldable Grid
[Read more >>](#)



CapFlow
[Read more >>](#)



Crockery basket
[Read more >>](#)