

## SELECT II 60/3 XL

30 + 2 x 8 l bins

### Product code 411769

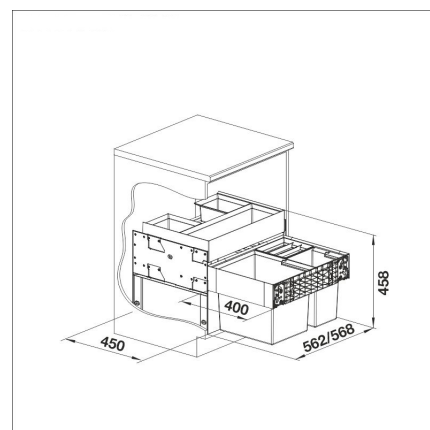
#### Product description

A modern and stylish, very versatile waste system that takes into account the ease of waste sorting. You only need a sink cabinet with a suitable width and a door in the middle of which the drawer is installed. The stylish waste cart contains high-quality buckets, sliding mechanisms and a frame. The waste baskets that come in the cart are sturdy and can withstand even heavier waste.



#### Technical information

- Sink cabin width: 60 cm
- Installation: Wagon model



#### Delivery content

- frame
- sliding mechanism
- 30 l bin
- 2 x 8 l bins
- upper basket
- cover



#### Downloads

- Roskisten käyttö- ja asennusohje
- Material information

#### Recommended accessories



##### MOVEX

[Read more >>](#)



##### CLIP for waste bag

[Read more >>](#)



##### Bin

[Read more >>](#)



##### Lid for wastebin

[Read more >>](#)