

## SELECT II 60/2

19 + 30 l bins

### Product code 411757

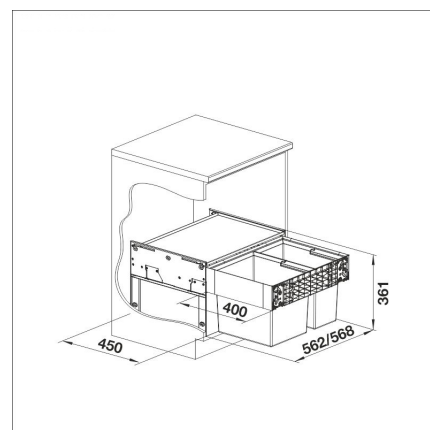
#### Product description

A modern and stylish, very versatile waste system that takes into account the ease of waste sorting. You only need a sink cabinet with a suitable width and a door in the middle of which the drawer is installed. The stylish waste cart contains high-quality buckets, sliding mechanisms and a frame. The waste baskets that come in the cart are sturdy and can withstand even heavier waste.



#### Technical information

- Sink cabin width: 60 cm



#### Delivery content

- frame
- sliding mechanism
- 30 l bin
- 19 l bin
- cover



#### Downloads

- Trashbins assembly instructions
- Material information
- Asennusvideo

#### Recommended accessories



Bin bag Bio M 15-19 L

[Read more >>](#)



Bin bag M 15-19 L

[Read more >>](#)



Bin bag L 30 L

[Read more >>](#)



CLIP for waste bag

[Read more >>](#)



MOVEX

[Read more >>](#)