

SELECT II 50/2

2 x 19 l bins

Product code 411754

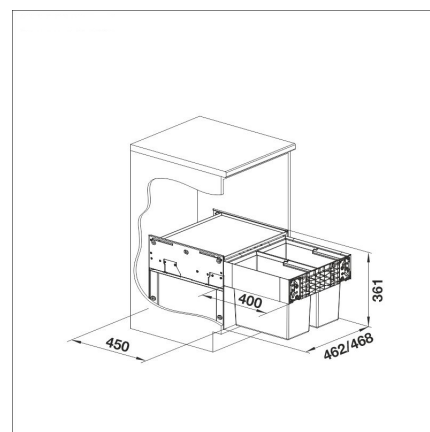
Product description

A modern and stylish, very versatile waste system that takes into account the ease of waste sorting. You only need a sink cabinet with a suitable width and a door in the middle of which the drawer is installed. The stylish waste cart contains high-quality buckets, sliding mechanisms and a frame. The waste baskets that come in the cart are sturdy and can withstand even heavier waste.



Technical information

- Sink cabin width: 50 cm



Delivery content

- frame
- sliding mechanism
- 2 x 19 l bins
- cover



Downloads

- Trashbins assembly instructions
- Material information
- Asennusvideo

Recommended accessories



Bin bag Bio M 15-19 L

[Read more >>](#)



Bin bag M 15-19 L

[Read more >>](#)



CLIP for waste bag

[Read more >>](#)



MOVEX

[Read more >>](#)



Accessory box, little

[Read more >>](#)