

FLEXON II 50/3

19 l + 2 x 8 l bins

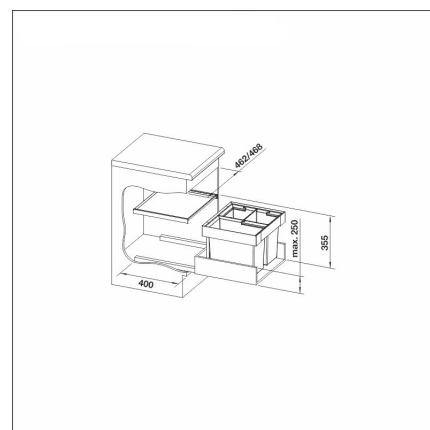
Product code 401782

Product description



Technical information

- Sink cabin width: 50 cm
- Installation: Installed inside a drawer



Delivery content

- frame
- assembly kit
- 19 l bin
- 2 x 8 l bins
- cover



Downloads

- Roskisten käyttö- ja asennusohje

Recommended accessories



Lid for wastebin
[Read more >>](#)



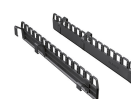
Charcoalfilter
[Read more >>](#)



Accessory box, little
[Read more >>](#)



MOVEX
[Read more >>](#)



CLIP for waste bag
[Read more >>](#)