

FLEXON II 50/2

2 x 19 l bins

Product code 401781

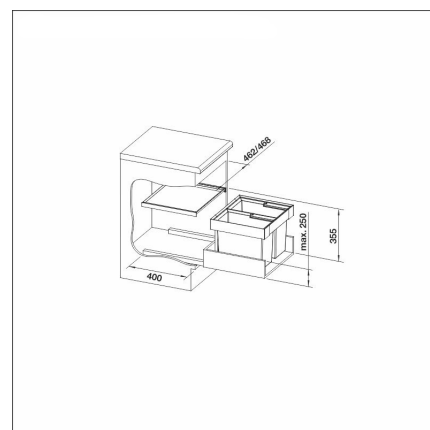
Product description

A high-quality waste mechanism for installation in a drawer unit. The Blanco Flexon, which requires only six screws for installation, is attached to the bottom of an existing drawer unit and the door connected to it. The waste bins installed in the Flexon II frame are sturdy and can withstand even heavier waste. Its ergonomic and stylish design makes Flexon a practical sorting center.



Technical information

- Sink cabin width: 50 cm



Delivery content

- frame
- assembly kit
- 2 x 19 l bins
- cover



Downloads

- Trashbins assembly instructions

Recommended accessories



Bin bag Bio M 15-19 L

[Read more >>](#)



Bin bag M 15-19 L

[Read more >>](#)



CLIP for waste bag

[Read more >>](#)



MOVEX

[Read more >>](#)



Accessory box, little

[Read more >>](#)