

**BLANCO CLARON 550-U**

Stainless steel 18/10

**Product code 3380****Product description**

BLANCO STEELAERT

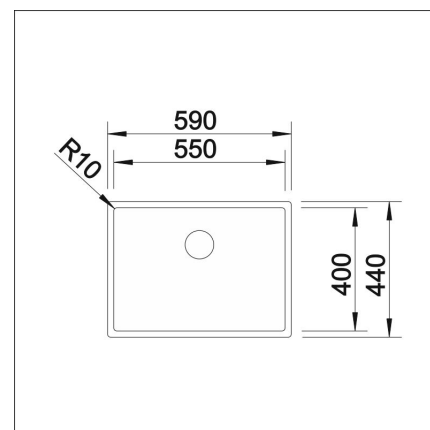


INFINO

Blanco SteelArt product range covers a broad range of high class and carefully thought sinks made of stainless steel. Every sink is made individually with high expertise and the newest production technology have been used.

**Technical information**

- Sink cabin minimum length: 60 cm
- Material: ruostumaton teräs
- Sink installation method: Bottom mounted
- Waste: 3,5" basket strainer InFino no pop-up
- Depth of main sink: 190 mm

**Delivery content**

- BLANCO stainless steel sink
- bottom valve system
- domestic Prevx Smartloc water trap

**Downloads**

- Prevx Smartloc instructions
- Assembling instruction
- Huolto- ja hoito-ohje
- Material information
- Cutout dimensions
- Declaration of conformity
- InFino waste
- InFino video

**Recommended accessories**

**BLANCO DeepClean**  
[Read more >>](#)



**Blanco DailyClean+**  
[Read more >>](#)



**Colander**  
[Read more >>](#)



**Set top-rails**  
[Read more >>](#)



**Cutting board**  
[Read more >>](#)