

LAPETEK LUKA 6

Composite black

Product code 2772

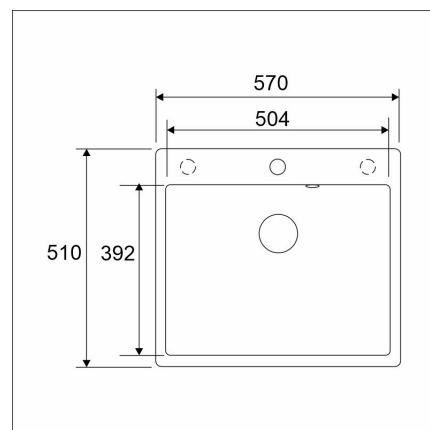
Product description

A simple and timeless sink model designed in Finland for the kitchen or utility room. The clear lines of the edge and design is suitable for a wide variety of styles. A deep and spacious sink and versatile accessories make the sink user-friendly. The ideal sink dimension allows you to move the sink laterally, which makes installing it in the sink cabinet particularly effortless. Installation has also been made easier by placing the overflow on the right side of the faucet.



Technical information

- Sink cabin min. length: 60 cm
- Sink installation method: Inset
- Waste: 3,5" basket strainer no pop-up
- Depth of main sink: 200 mm



Delivery content

- BLANCO LUKA 6 Silgranit sink
- bottom valve system
- Prevox Smartloc water trap



Downloads

- Assembling instruction
- Prevox Smartloc instructions

Recommended accessories



Colander

[Read more >>](#)



Colander

[Read more >>](#)



Foldable grid

[Read more >>](#)



Foldable grid

[Read more >>](#)



Foldable grid

[Read more >>](#)