

BLANCO SUBLINE 700-U

Silgranit volcano grey remote control must be ordered separately

Product code 22603**Product description**

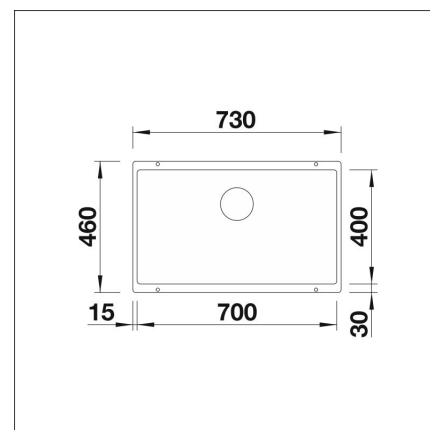
A stylish and timeless sink model that fits both modern and traditional kitchens. The depth of the sink (190 mm) and the small corner rounding make the sink practical and easy to keep clean. The material is the unique, almost scratch-resistant SILGRANIT stone mass developed by Blanco, which is heat-resistant, retains its color and is easy to clean. The patent-protected SILGRANIT material combines ease of care, practicality and durability.



INFINO

Technical information

- Sink cabin min. length: 80 cm
- Material: kivikomposiitti
- Sink installation method: Bottom mounted
- Depth of main sink: 190 mm

**Delivery content**

- BLANCO Silgranit sink
- bottom valve system
- Prevox Smartloc water trap

**Downloads**

- Prevox Smartloc instructions
- Assembling instruction
- Huolto- ja hoito-ohje
- Material information
- Cutout dimensions
- Declaration of conformity
- InFino waste
- InFino video

Recommended accessories

Set top-rails
[Read more >>](#)



InFino set
[Read more >>](#)



Cutting board
[Read more >>](#)



Colander
[Read more >>](#)



Grid
[Read more >>](#)