

BLANCO SUBLINE 400-U

Silgranit matt black

Product code 22571**Product description**

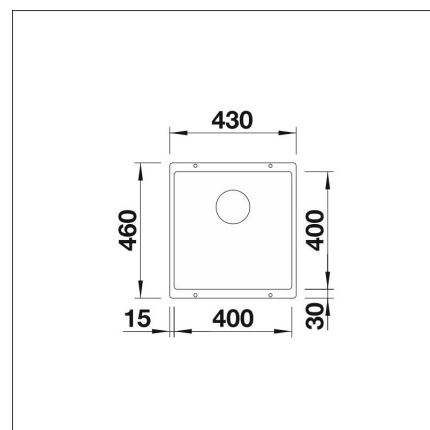
A stylish and timeless sink model that fits both modern and traditional kitchens. The depth of the sink (190 mm) and the small corner rounding make the sink practical and easy to keep clean. The material is the unique, almost scratch-resistant SILGRANIT stone mass developed by Blanco, which is heat-resistant, retains its color and is easy to clean. The patent-protected SILGRANIT material combines ease of care, practicality and durability.



INFINO

Technical information

- Sink cabin min. length: 50 cm
- Allasmateriaali: kivikomposiitti
- Sink installation method: Bottom mounted
- Depth of main sink: 190 mm

**Delivery content**

- BLANCO Silgranit sink
- bottom valve system
- domestic Prevox Smartloc water trap

**Downloads**

- Assembling instruction
- Prevox Smartloc instructions
- Service manual
- Material information
- Cutout dimensions
- Vaatimustenmukaisuusvakuutus
- InFino waste

Recommended accessories

Set top-rails
[Read more >>](#)



InFino set
[Read more >>](#)



Cutting board
[Read more >>](#)



Foldable Grid
[Read more >>](#)



Pop up set InFino
[Read more >>](#)