

**BLANCO SUBLINE 400-U**

Silgranit rock grey remote control must be ordered separately

**Product code 22511****Product description**

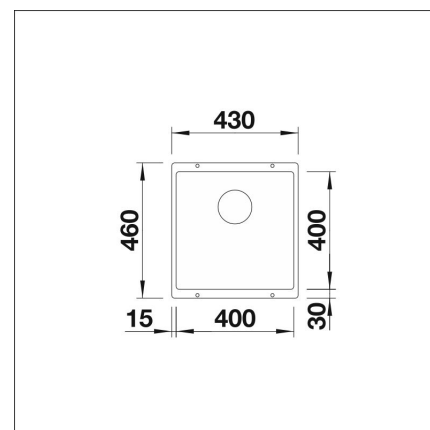
A stylish and timeless sink model that fits both modern and traditional kitchens. The depth of the sink (190 mm) and the small corner rounding make the sink practical and easy to keep clean. The material is the unique, almost scratch-resistant SILGRANIT stone mass developed by Blanco, which is heat-resistant, retains its color and is easy to clean. The patent-protected SILGRANIT material combines ease of care, practicality and durability.



INFINO

**Technical information**

- Sink cabin minimum length: 50 cm
- Material: kivikomposiitti
- Sink installation method: Bottom mounted
- Depth of main sink: 190 mm

**Delivery content**

- BLANCO Silgranit sink
- bottom valve system
- Prevox Smartloc water trap

**Downloads**

- Prevox Smartloc instructions
- Assembling instruction
- Huolto- ja hoito-ohje
- Material information
- Cutout dimensions
- Declaration of conformity
- InFino waste
- InFino video

**Recommended accessories**

**BLANCO DeepClean**  
[Read more >>](#)



**Blanco DailyClean+**  
[Read more >>](#)



**Set top-rails**  
[Read more >>](#)



**InFino set**  
[Read more >>](#)



**Colander**  
[Read more >>](#)