

## LAPETEK DANEX 45-S MINI

Stainless steel 18/10 right

### Product code 16630

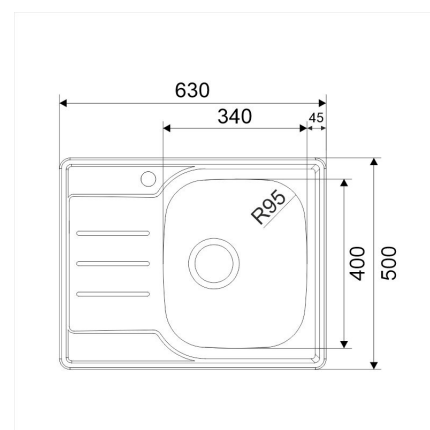
### Product description

Lapetek Danex kitchen sink family is a range of sinks designed in Finland with modern styling, including the most popular models with a short draining surface and without. The material used is strong stainless steel, and the faucet area has been further strengthened. The sinks feature a consistently stylish low-profile edge.

The generous radius of the sinks ensures ease of maintenance, and the modern design of the draining surface with a clear slope towards the sink and a logo-embellished hidden overflow together create a streamlined appearance.

### Technical information

- Sink cabin min. length: 40 cm, 45 cm
- Allasmateriaali: ruostumaton teräs
- Sink installation method: Päältä upotettava
- Waste: 3,5" basket strainer no pop-up
- Depth of main sink: 170 mm



### Delivery content

- LAPETEK DANEX -sink
- brackets for surface mounting
- brackets for under mounting
- bottom valve system
- domestic Prevox Smartloc water trap



### Downloads

- Assembling instruction
- Prevox Smartloc instructions
- Service manual
- Material information
- Vaatimustenmukaisuusvakuutus
- Leikkuulauta ohje
- Vihanneskulho ohje

### Recommended accessories



#### Foldable grid

[Read more >>](#)