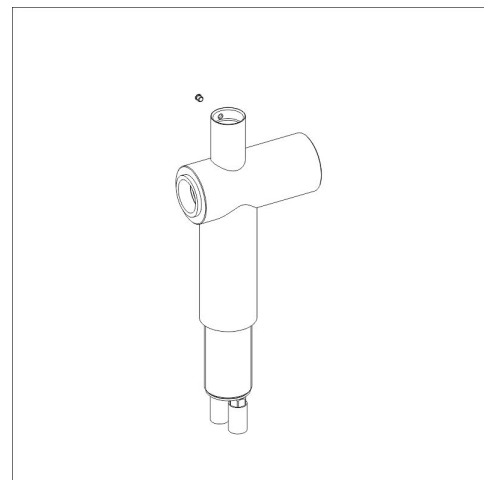


**Product code 1600224100**

**Product description**



**Technical information**



**Delivery content**



**Downloads**

**Recommended accessories**