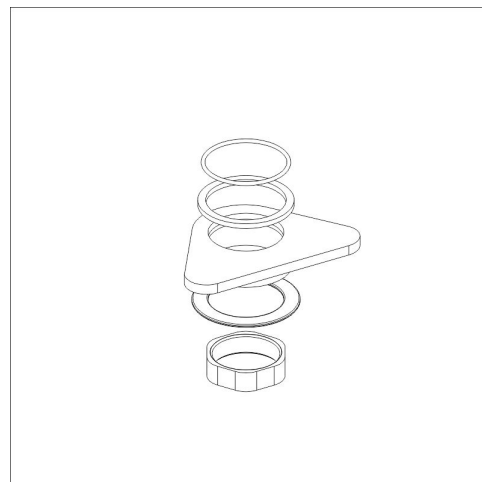


REPLACEMENT FIXING KIT (Lino-A Level-A Round-A)

Product code **16000327**

Product description



Technical information



Delivery content



Downloads

Recommended accessories