

LAPETEK LUNA-X 500-IFN/U

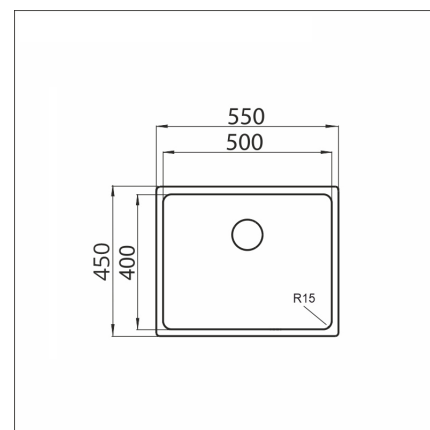
PVD gunmetal

Product code 1482IFNU**Product description**

The high-quality Lapetek Luna-X sink family includes three popular models for kitchens and utility rooms. The material of the sinks is much stronger than usual, which makes them more sturdy than average in all respects. The 1.2 mm thick steel makes the tapledge of the IFA model neat, flat and very sturdy without extra edging between the basin and the top part. The minimalist design combined with rounded corners make the Luna-X 340-IFA easy to keep clean. All in all, the sink has a solid and high-quality feel, which you can experience while using it. The small...

**Technical information**

- Sink cabin min. length: 60 cm
- Sink installation method: Päältä asennettava, Alta kiinnitettävä
- Sink color: gunmetal
- Material: Stainless steel
- Waste: 3,5" basket strainer no pop-up
- Depth of main sink: 190 mm

**Delivery content**

- LAPETEK LUNA-X -sink
- brackets for surface mounting
- brackets for under mounting
- bottom valve system
- domestic Prevox Smartloc water trap

**Downloads**

- Assembling instruction
- Prevox Smartloc instructions
- Service manual
- Material information
- Cutout dimensions
- Leikkuulauta ohje
- Vihanneskulho ohje

Recommended accessories

Cutting board
[Read more >>](#)



Foldable grid
[Read more >>](#)



Colander
[Read more >>](#)



LAPETEK VENTO
[Read more >>](#)



Polish
[Read more >>](#)