

LAPETEK LUNA-X 500-IFN/U

PVD copper

Product code 1452IFNU

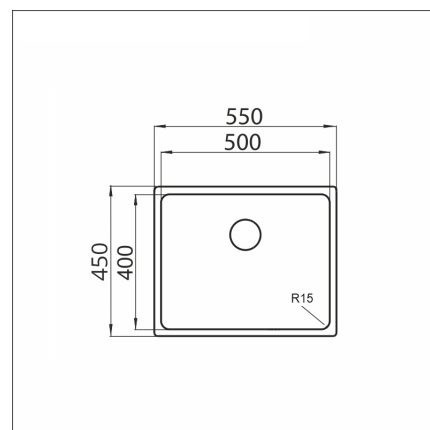
Product description

A particularly high-quality, incredibly spacious sink for the kitchen and utility room. Made of stronger material than usual, which makes the sink more sturdy than usual. Thanks to the 1.2 mm thick steel, the sink basin is very sturdy in all its parts. The minimalist design together with the rounded corners make the Luna-X sink easy to keep clean. Can be installed on the surface from above or below.



Technical information

- Sink cabin min. length: 60 cm
- Allasmateriali: PVD - ruostumaton teräs
- Sink installation method: Päältä asennettava, Alta kiinnitettävä
- Sink color: kupari
- Waste: 3,5" basket strainer no pop-up
- Depth of main sink: 190 mm



Delivery content

- LAPETEK LUNA-X -sink
- brackets for surface mounting
- brackets for under mounting
- bottom valve system
- domestic Prevox Smartloc water trap



Downloads

- Assembling instruction
- Prevox Smartloc instructions
- Material information
- Cutout dimensions
- Vaatimustenmukaisuusvakuutus

Recommended accessories



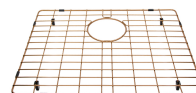
Cutting board
[Read more >>](#)



Foldable grid
[Read more >>](#)



Colander
[Read more >>](#)



Bottom grid 500
[Read more >>](#)



LAPETEK LINO-SA
[Read more >>](#)