

LAPETEK LUNA-X 230-IFN/U

Stainless steel 18/10

Product code 1440IFNU

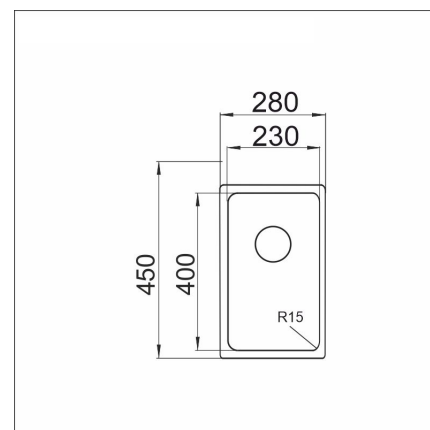
Product description

The high-quality Lapetek Luna-X sink family includes three popular models for kitchens and utility rooms. The material of the sinks is much stronger than usual, which makes them more sturdy than average in all respects. The 1,2 mm thick steel makes the tapledge of the IFA model neat, flat and very sturdy without extra edging between the basin and the top part. The minimalist design combined with rounded corners make the Luna-X 230-IFA easy to keep clean. All in all, the sink has a solid and high-quality feel, which you can experience while using it. The small...



Technical information

- Sink cabin minimum length: 30 cm
- Material: ruostumaton teräs
- Sink installation method: Bottom mounted
- Waste: 3,5" basket strainer no pop-up
- Depth of main sink: 190 mm



Delivery content

- LAPETEK LUNA-X -sink
- brackets for surface mounting
- brackets for under mounting
- bottom valve system
- domestic Prevox Smartloc water trap



Downloads

- Prevox Smartloc instructions
- Assembling instruction
- Huolto- ja hoito-ohje
- Material information
- Cutout dimensions
- Declaration of conformity

Recommended accessories



BLANCO DeepClean
[Read more >>](#)



Blanco DailyClean+
[Read more >>](#)



Cutting board
[Read more >>](#)



Colander
[Read more >>](#)

LATO
[Read more >>](#)