

BLANCO ETAGON 500-U

Stainless steel 18/10

**Product code 1400U****Product description**

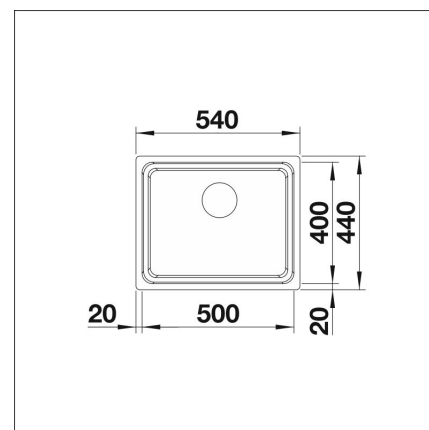
Practicality that makes everyday life easier on three working levels. The multifunctional rails that come as standard with the sink increase functionality. Thanks to the ingenious intermediate level and the standard Etagon rails included in the sink, the sink has three separate working levels: one at the bottom of the sink, another on the intermediate level and the third on top of the sink. With these levels, you can always work optimally in the sink, regardless of the size or shape of the dishes you use.



INFINO

Technical information

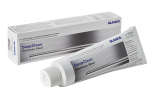
- Sink cabin minimum length: 60 cm
- Sink installation method: Bottom mounted
- Waste: 3,5" basket strainer InFino no pop-up
- Depth of main sink: 190 mm

**Delivery content**

- BLANCO stainless steel sink
- bottom valve system
- domestic Prevox Smartloc water trap

**Downloads**

- Prevox Smartloc instructions
- Assembling instruction
- Huolto- ja hoito-ohje
- Material information
- Cutout dimensions
- Declaration of conformity
- InFino waste
- InFino video

Recommended accessories

BLANCO DeepClean
[Read more >>](#)



Blanco DailyClean+
[Read more >>](#)



InFino set
[Read more >>](#)



Colander
[Read more >>](#)



Cutting board
[Read more >>](#)