

BLANCO LEXA 45 S

Silgranit soft white

Product code 13317

Product description

GENTLE SHAPES WITH A MODERN DESIGN

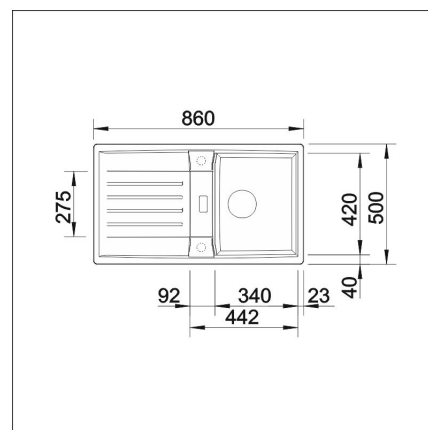
Lexa is a modern sink for any kitchen ambience. The harmonious and elegant draining areas gives a pleasant atmosphere to a kitchen. Silgranit is a sink material developed and patented by BLANCO. It provides the sink an unsurpassed hardness and scratch resistance. It's heat resistant up to 280°C. Silgranit is hygienic and easy to take care off.



INFINO

Technical information

- Sink cabin min. length: 45 cm
- Material: kivikomposiitti
- Sink installation method: Over mounted
- Waste: 3,5" basket strainer InFino pop-up
- Depth of main sink: 190 mm



Delivery content

- BLANCO Silgranit sink
- bottom valve system
- domestic Prevox Smartloc water trap



Downloads

- Prevox Smartloc instructions
- Assembling instruction
- Huolto- ja hoito-ohje
- Material information
- Cutout dimensions
- Declaration of conformity
- InFino waste
- InFino video

Recommended accessories



BLANCO DeepClean
[Read more >>](#)



Blanco DailyClean+
[Read more >>](#)



InFino set
[Read more >>](#)



InFino set
[Read more >>](#)



Cutting board
[Read more >>](#)