

**BLANCO LEMIS 8 S-IF**

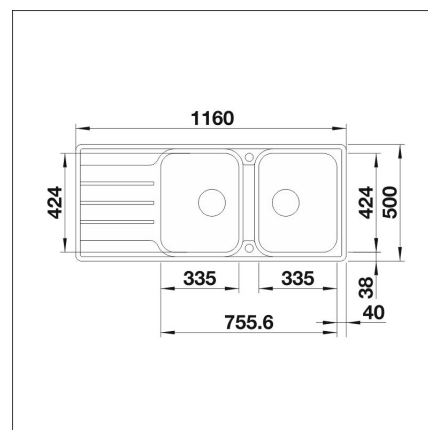
Stainless steel 18/10

**Product code 12430IF****Product description**

A spacious, high-quality and carefully finished sink for every kitchen. The timeless and clear design of stainless steel is suitable for many environments. High quality stainless steel has a natural resistance to common hot acids and stains such as coffee, tea, fruits and vegetables. The steel is safe for food use. Nothing comes off the steel that could affect the ingredients or flavors used in the kitchen.

**Technical information**

- Sink cabin min. length: 80 cm
- Sink installation method: Päältä asennettava, Huullettava
- Material: Stainless steel
- Waste: 3,5" basket strainer pop-up
- Depth of main sink: 205 mm

**Delivery content**

- BLANCO stainless steel sink
- bottom valve system
- domestic Prevx Smartloc water trap

**Downloads**

- Assembling instruction
- Prevx Smartloc instructions
- Service manual
- Material information
- Cutout dimensions
- Vaatimustenmukaisuusvakuutus

**Recommended accessories**

**Cutting board**  
[Read more >>](#)



**Crockery basket**  
[Read more >>](#)



**Foldable Grid**  
[Read more >>](#)



**CapFlow**  
[Read more >>](#)

**LAPETEK LINO 10-A**  
[Read more >>](#)