

BLANCO ETAGON 8

Silgranit coffee

Product code 111604

Product description

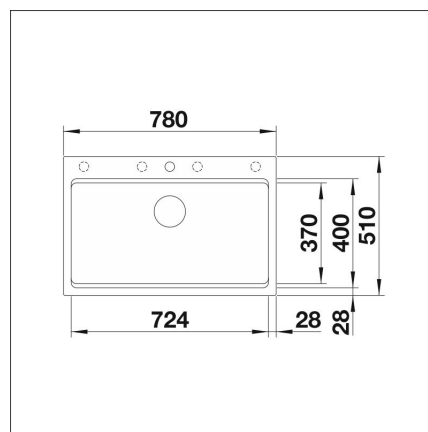
A modern sink that fits many types of kitchens. The harmonious design and elegant surface bring a pleasant atmosphere to the kitchen. The material is the unique, almost scratch-resistant SILGRANIT stone mass developed by BLANCO, which is heat-resistant, retains its color and is easy to clean. The patent-protected SILGRANIT material combines ease of care, practicality and durability.



INFINO

Technical information

- Sink cabin minimum length: 80 cm
- Sink installation method: Inset
- Waste: 3,5" basket strainer InFino no pop-up
- Depth of main sink: 220 mm



Delivery content

- BLANCO Silgranit sink
- bottom valve system
- domestic Prevx Smartloc water trap



Downloads

- Prevx Smartloc instructions
- Assembling instruction
- Huolto- ja hoito-ohje
- Material information
- Cutout dimensions
- Declaration of conformity
- InFino waste
- InFino video

Recommended accessories



BLANCO DeepClean
[Read more >>](#)



Blanco DailyClean+
[Read more >>](#)



InFino set
[Read more >>](#)



InFino set
[Read more >>](#)



Colander
[Read more >>](#)