

BLANCO ETAGON 8 Silgranit white

Product code 111602

Product description

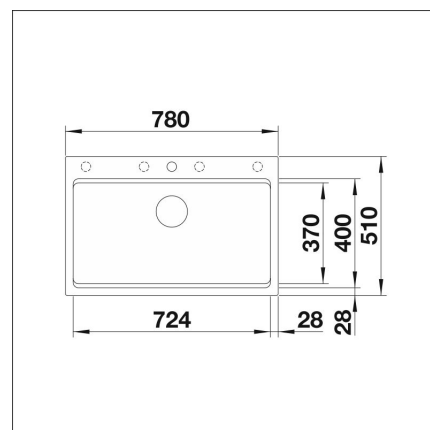
A modern sink that fits many types of kitchens. The harmonious design and elegant surface bring a pleasant atmosphere to the kitchen. The material is the unique, almost scratch-resistant SILGRANIT stone mass developed by Blanco, which is heat-resistant, retains its color and is easy to clean. The patent-protected SILGRANIT material combines ease of care, practicality and durability.



INFINO

Technical information

- Sink cabin min. length: 80 cm
- Sink installation method: Inset
- Sink color: Silgranit® valkoinen
- Waste: 3,5" basket strainer InFino no pop-up
- Depth of main sink: 220 mm



Delivery content

- BLANCO Silgranit sink
- bottom valve system
- domestic Prevox Smartloc water trap



Downloads

- Assembling instruction
- Prevox Smartloc instructions
- Huolto- ja hoito-ohje
- Material information
- Cutout dimensions
- Vaatimustenmukaisuusvakuutus
- InFino waste

Recommended accessories



InFino set
[Read more >>](#)



InFino set
[Read more >>](#)



Cutting board
[Read more >>](#)



Foldable Grid
[Read more >>](#)



Pop up set InFino
[Read more >>](#)