

## BLANCO ETAGON 700-U

Silgranit rock grey

### Product code 110111

#### Product description

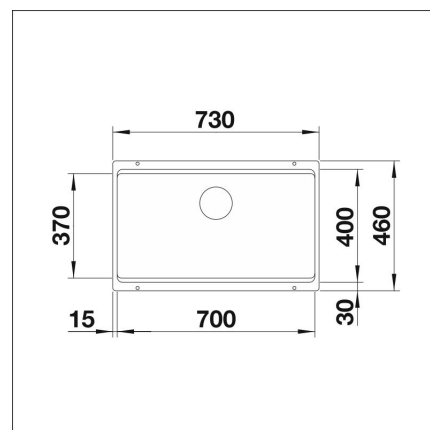
A modern sink that fits many types of kitchens. The harmonious design and elegant surface bring a pleasant atmosphere to the kitchen. The material is the unique, almost scratch-resistant SILGRANIT stone mass developed by Blanco, which is heat-resistant, retains its color and is easy to clean. The patent-protected SILGRANIT material combines ease of care, practicality and durability.



INFINO

#### Technical information

- Sink cabin minimum length: 80 cm
- Sink installation method: Bottom mounted
- Waste: 3,5" basket strainer InFino no pop-up
- Depth of main sink: 200 mm



#### Delivery content

- BLANCO Silgranit sink
- bottom valve system
- Prevox Smartloc water trap



#### Downloads

- Prevox Smartloc instructions
- Assembling instruction
- Huolto- ja hoito-ohje
- Material information
- Cutout dimensions
- Declaration of conformity
- InFino waste
- InFino video

#### Recommended accessories



**BLANCO DeepClean**  
[Read more >>](#)



**Blanco DailyClean+**  
[Read more >>](#)



**InFino set**  
[Read more >>](#)



**InFino set**  
[Read more >>](#)



**Colander**  
[Read more >>](#)