

BLANCO ETAGON 700-U

Silgranit soft white

Product code 110107**Product description**

Blanco Etagon is a beautifully shaped high quality stainless steel sink with a modern overall appearance. It has a highly innovative system concept of rails, that create three different working levels to the sink. There are two pieces of rails that can be placed side by side or on top of each other, either to the middle tier of the sink, or to the table top level. Rails work well with chopping board, holding kettles and dishes in different levels, making everyday kitchen tasks enjoyable. When not in use, rails can hold brush and cloth.

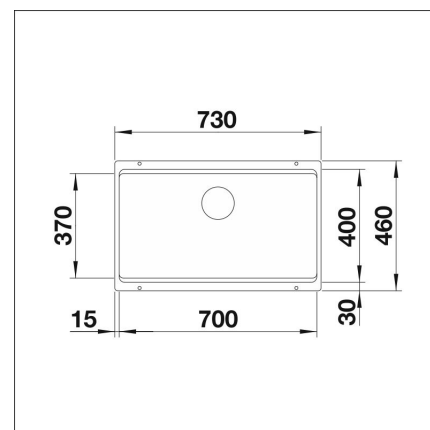
High-quality features with...

Technical information

- Sink cabin min. length: 80 cm
- Sink installation method: Bottom mounted
- Material: Silgranit (komposiitti)
- Waste: 3,5" basket strainer InFino no pop-up
- Depth of main sink: 200 mm



INFINO

**Delivery content**

- BLANCO Silgranit sink
- bottom valve system
- domestic Prevox Smartloc water trap

**Downloads**

- Assembling instruction
- Prevox Smartloc instructions
- Service manual
- Material information
- Cutout dimensions
- Vaatimustenmukaisuusvakuutus
- InFino waste

Recommended accessories**InFino set**[Read more >>](#)**InFino set**[Read more >>](#)**Cutting board**[Read more >>](#)**Foldable Grid**[Read more >>](#)**Pop up set InFino**[Read more >>](#)