

BLANCO ETAGON 700-U

Silgranit white

Product code 110102**Product description**

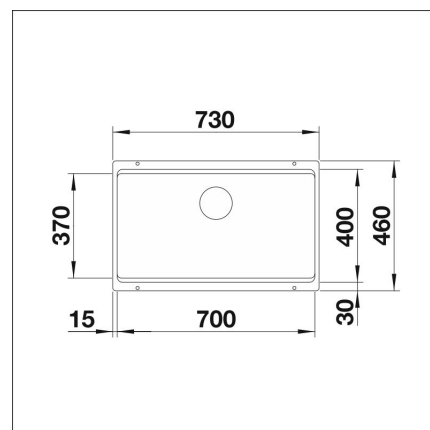
A modern sink that fits many types of kitchens. The harmonious design and elegant surface bring a pleasant atmosphere to the kitchen. The material is the unique, almost scratch-resistant SILGRANIT stone mass developed by Blanco, which is heat-resistant, retains its color and is easy to clean. The patent-protected SILGRANIT material combines ease of care, practicality and durability.



INFINO

Technical information

- Sink cabin minimum length: 80 cm
- Sink installation method: Bottom mounted
- Waste: 3,5" basket strainer InFino no pop-up
- Depth of main sink: 200 mm

**Delivery content**

- BLANCO Silgranit sink
- bottom valve system
- Prevox Smartloc water trap

**Downloads**

- Prevox Smartloc instructions
- Assembling instruction
- Huolto- ja hoito-ohje
- Material information
- Cutout dimensions
- Declaration of conformity
- InFino waste
- InFino video

Recommended accessories**BLANCO DeepClean**[Read more >>](#)**Blanco DailyClean+**[Read more >>](#)**InFino set**[Read more >>](#)**InFino set**[Read more >>](#)**Colander**[Read more >>](#)