

**BLANCO SONA 8 S**

Silgranit anthrazit

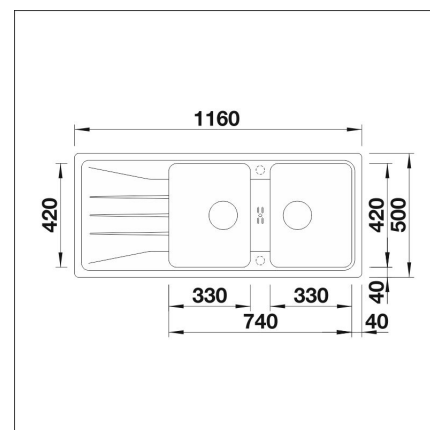
**Product code 109209****Product description**

TAILORED TO CONTEMPORARY KITCHENS

The modern and the individual design of Sona combined with a big bowl provides a lot of space for your daily tasks in the kitchen. Two big bowls and a drainer area makes the most of the kitchen's water main. The newest arrival to the BLANCO sink family suits for many tastes and for all homes. There are four different sinks available in all nine Silgranit colors.

**Technical information**

- Sink cabin minimum length: 80 cm
- Sink installation method: Inset
- Waste: 3,5" basket strainer no pop-up
- Depth of main sink: 190 mm

**Delivery content**

- BLANCO Silgranit sink
- bottom valve system
- domestic Prevx Smartloc water trap

**Downloads**

- Prevx Smartloc instructions
- Assembling instruction
- Huolto- ja hoito-ohje
- Material information
- Cutout dimensions
- Declaration of conformity
- Tap hole making

**Recommended accessories**

**BLANCO DeepClean**  
[Read more >>](#)



**Blanco DailyClean+**  
[Read more >>](#)



**Cutting board**  
[Read more >>](#)



**Foldable Grid**  
[Read more >>](#)

**LATO**  
[Read more >>](#)