

**BLANCO ELON XL 6 S-F**

Silgranit coffee

**Product code 107304F****Product description**

BlancoElon is a compact and innovative single-bowl sink that has movable stainless steel drainer grid, which ingeniously extends the working area.

Drainer grid is a standard accessory that is included into the price.

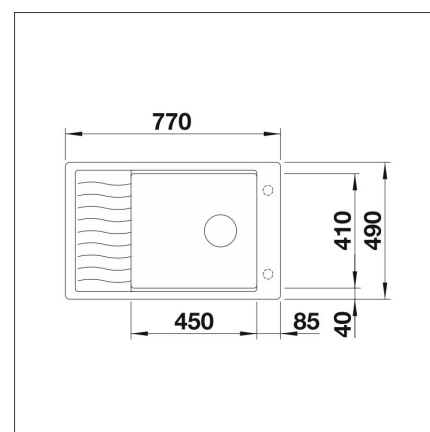
Silgranit as a material is a durable combination of granite that has nearly unsurpassed scratch resistance and is heat-resistant. Material is hygienic and easy to clean.



INFINO

**Technical information**

- Sink cabin min. length: 60 cm
- Material: kivikomposiitti
- Sink installation method: Flush mounted
- Waste: 3,5" basket strainer InFino pop-up
- Depth of main sink: 190 mm

**Delivery content**

- BLANCO Silgranit sink
- bottom valve system
- domestic Prevx Smartloc water trap

**Downloads**

- Prevx Smartloc instructions
- Assembling instruction
- Huolto- ja hoito-ohje
- Material information
- Cutout dimensions
- Declaration of conformity
- InFino waste
- InFino video

**Recommended accessories****BLANCO DeepClean**[Read more >>](#)**Blanco DailyClean+**[Read more >>](#)**Colander**[Read more >>](#)**Cutting board**[Read more >>](#)**Foldable Grid**[Read more >>](#)