

**BLANCO DALAGO 5**

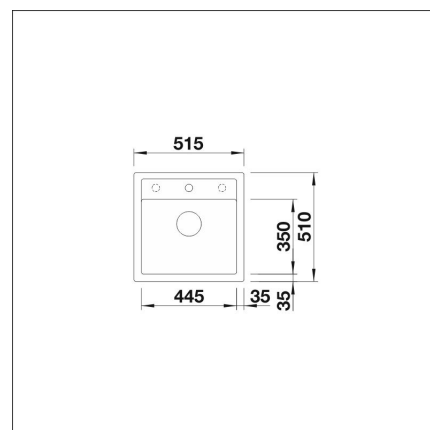
Silgranit rock grey

**Product code 107211****Product description**

Suitable for many tastes, a spacious and clean-lined sink for the kitchen or utility room. The spacious edge leaves room for e.g. a soap dispenser and other functional accessories. The material is the unique, almost scratch-resistant SILGRANIT stone mass developed by BLANCO, which is heat-resistant, retains its color and is easy to clean. The patent-protected SILGRANIT material combines ease of care, practicality and durability.

**Technical information**

- Sink cabin minimum length: 50 cm
- Material: kivikomposiitti
- Sink installation method: Inset
- Waste: 3,5" basket strainer pop-up
- Depth of main sink: 190 mm

**Delivery content**

- BLANCO DALAGO 5 Silgranit sink
- bottom valve system with remote control
- domestic Prevox Smartloc water trap

**Downloads**

- Prevox Smartloc instructions
- Assembling instruction
- Huolto- ja hoito-ohje
- Material information
- Cutout dimensions
- Declaration of conformity
- Tap hole making

**Recommended accessories**

**BLANCO DeepClean**  
[Read more >>](#)



**Blanco DailyClean+**  
[Read more >>](#)



**Corner basket**  
[Read more >>](#)



**Cutting board**  
[Read more >>](#)



**Foldable grid**  
[Read more >>](#)