

BLANCO DALAGO 5

Silgranit tartufo

Product code 107210

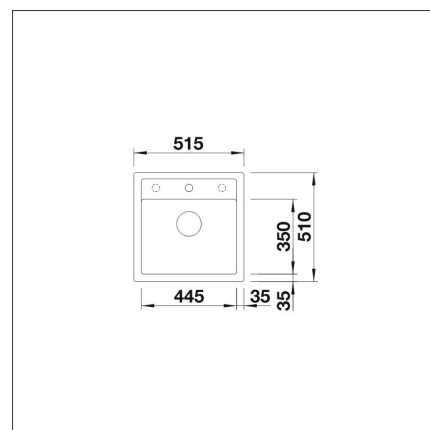
Product description

Suitable for many tastes, a spacious and clean-lined sink for the kitchen or utility room. The spacious edge leaves room for e.g. a soap dispenser and other functional accessories. The material is the unique, almost scratch-resistant SILGRANIT stone mass developed by BLANCO, which is heat-resistant, retains its color and is easy to clean. The patent-protected SILGRANIT material combines ease of care, practicality and durability.



Technical information

- Sink cabin minimum length: 50 cm
- Material: kivikomposiitti
- Sink installation method: Inset
- Waste: 3,5" basket strainer pop-up
- Depth of main sink: 190 mm



Delivery content

- BLANCO DALAGO 5 Silgranit sink
- bottom valve system with remote control
- domestic Prevox Smartloc water trap



Downloads

- Prevox Smartloc instructions
- Assembling instruction
- Huolto- ja hoito-ohje
- Material information
- Cutout dimensions
- Declaration of conformity
- Tap hole making

Recommended accessories



BLANCO DeepClean
[Read more >>](#)



Blanco DailyClean+
[Read more >>](#)



Corner basket
[Read more >>](#)



Cutting board
[Read more >>](#)



Foldable grid
[Read more >>](#)